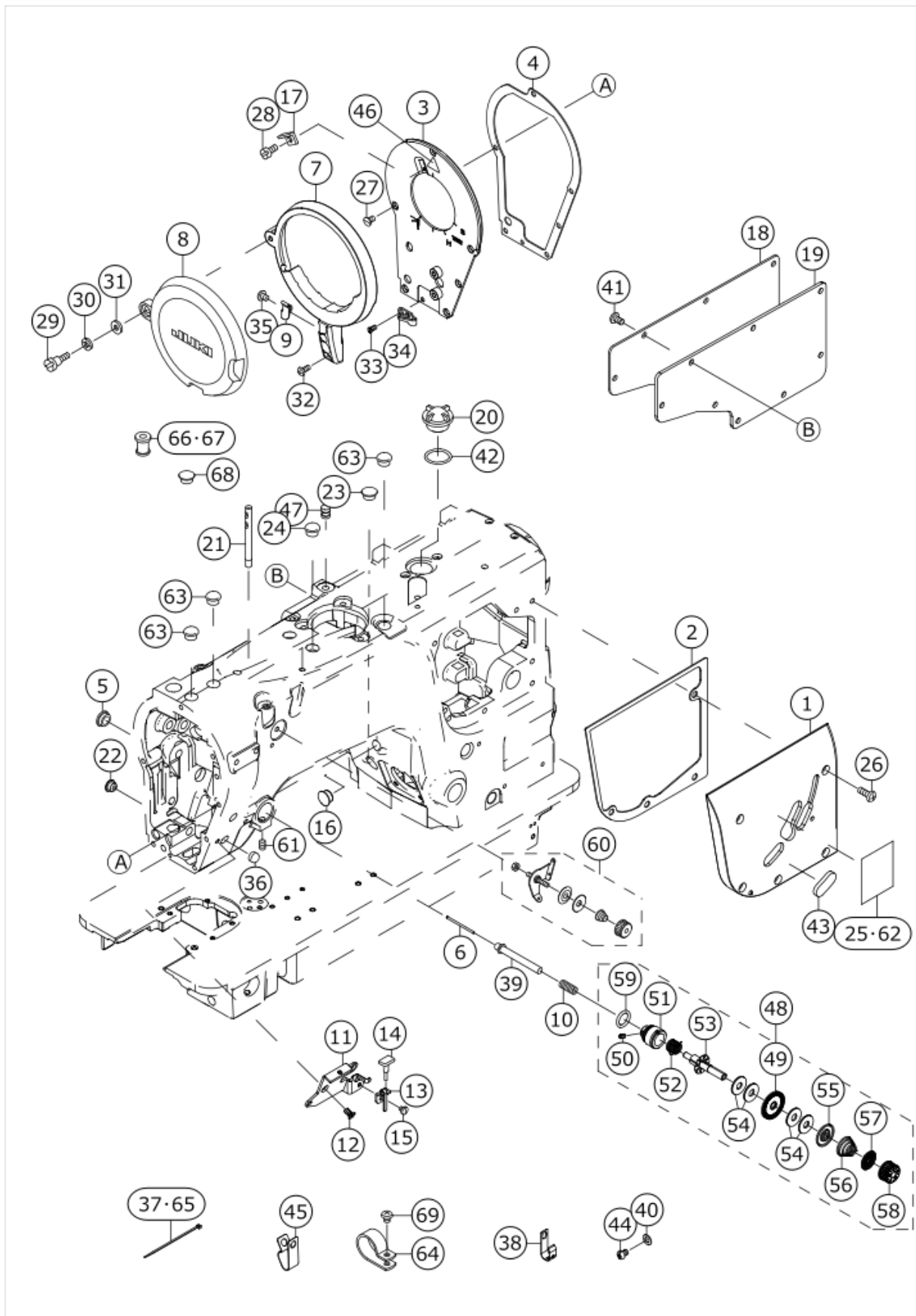


LZ-2280B

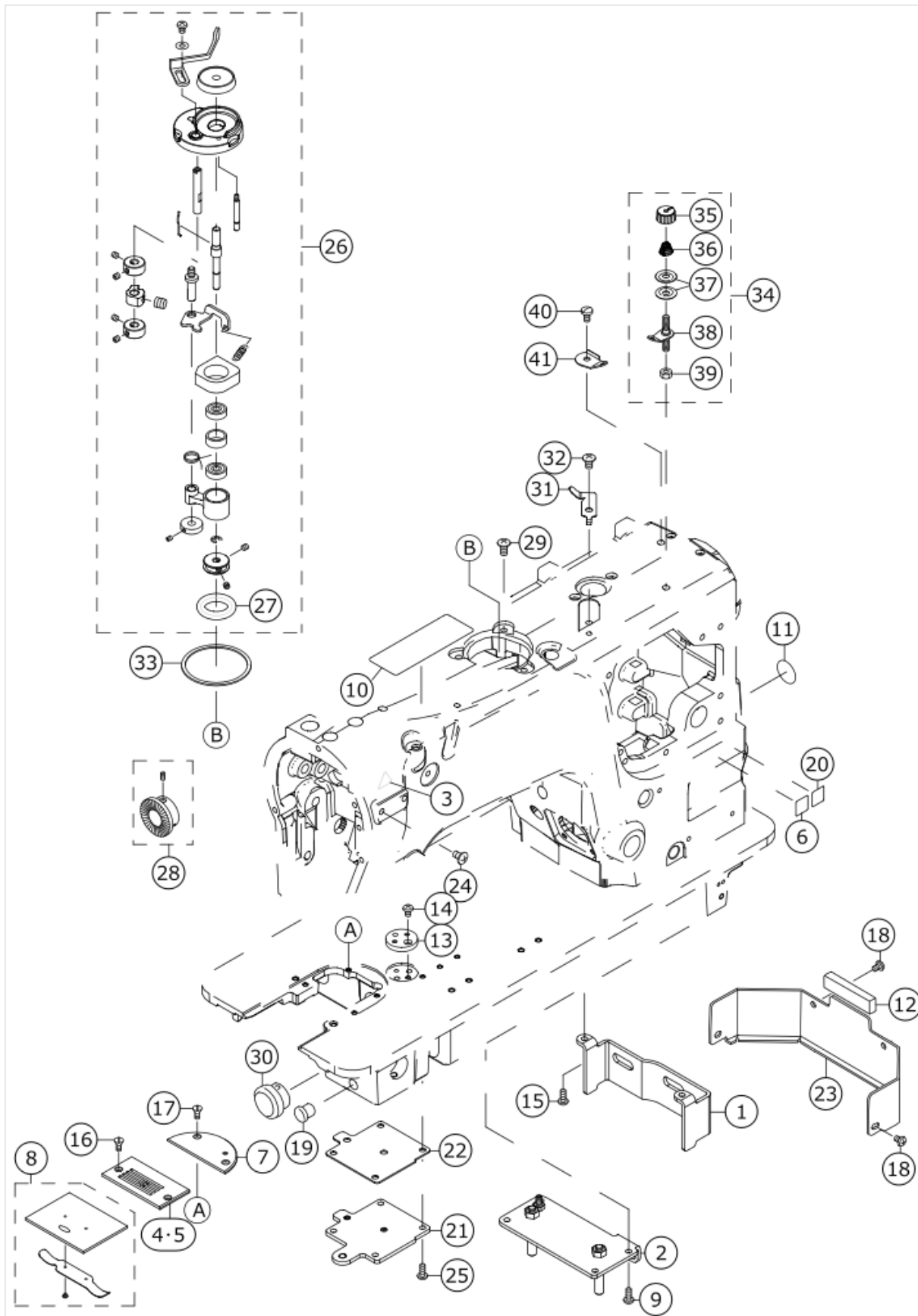
FRAME & MISCELLANEOUS COVER COMPONENTS (1)



No.	品番	品名	備考	子部品	消耗品	個数
1	40272206	SIDE_COVER_ASSY				1.00
2	40125442	SIDE_COVER_GASKET				1.00
3	40125431	FACE_PLATE_ASM				1.00
4	40125433	GASKET				1.00
5	TA1330405R0	BUSHING				1.00
6	23537814	THREAD RELEASE PIN				1.00
7	40209349	BALANCE_COVER_BASE				1.00
8	40209348	BALANCE_COVER				1.00
9	26305300	BALANCE COVER STOPPER SPRING				1.00
10	22920409	THREAD RELEASE PIN SPRING				1.00
11	40125430	THREAD_GUIDE_T				1.00
12	SS1110821TP	SCREW 11/64-40 L=8.3				2.00
13	40125438	THREAD GUIDE				1.00
14	40125710	RUBBER STOPPER				1.00
15	SS7090410SP	SCREW 9/64-40 L= 3.5				1.00
16	TA1100604R0	PLUG				1.00
17	10001709	TAKE-UP THREAD CUTTER				1.00
18	40227635	WINDOW_PLATE	EXCEPT LZ-2284B7WBAK*			1.00
19	40012129	SIDE PLATE PACKING	EXCEPT LZ-2284B7WBAK*			1.00
20	22924708	OIL SIGHT WINDOW				1.00
21	22958300	NEEDLE THREAD GUIDE PIN				1.00
22	TA0800504R0	PLUG D=8 L=4.5				1.00
23	TA1050504R0	RUBBER PLUG				2.00
24	TA1250705R0	RUBBER PLUG				1.00
25	23516206	OPERATION SEAL	EXCEPT LZ-2280B*			1.00
26	SS4121415SP	SCREW 3/16-28 L=14				5.00
27	SS1110840SP	SCREW 11/64-40 L=8				6.00
28	SS7080410SP	SCREW 1/8-44 L= 3.8				1.00
29	SD0640751SP	HINGE SCREW D= 6.35 H= 7.5				1.00
30	WZ0641510KP	WAVED WASHER 6.4X11X0.3				1.00
31	WP0651056SD	WASHER 6.5X11X1				1.00
32	SS4110915SP	SCREW 11/64-40 L=9				2.00
33	SS2090710TP	SCREW 9/64-40 L=7.2				1.00
34	26305409	BALANCE THREAD GUIDE B				1.00
35	SS4120615SP	SCREW 3/16-28 L=6				1.00
36	GPR01015000	DRIVING STOPPER RUBBER				2.00
37	EA9500B0100	CABLE BAND	FOR LZ-2284B7WBAK*			2.00
38	40136258	CORD HOLDER	EXCEPT LZ-2284B7*			2.00
39	22528616	THREAD RELEASE				1.00
40	WT0530002KS	TOOTHED WASHER D=5.3				1.00
41	SS4120915SP	SCREW 3/16-28 L=9				8.00
42	RO195240100	O-RING				1.00
43	40125637	RUBBER_CAP	FOR LZ-2280B*			1.00
44	SS4120615SP	SCREW 3/16-28 L=6				1.00
45	D2112555B00	CORD HOLDER				2.00

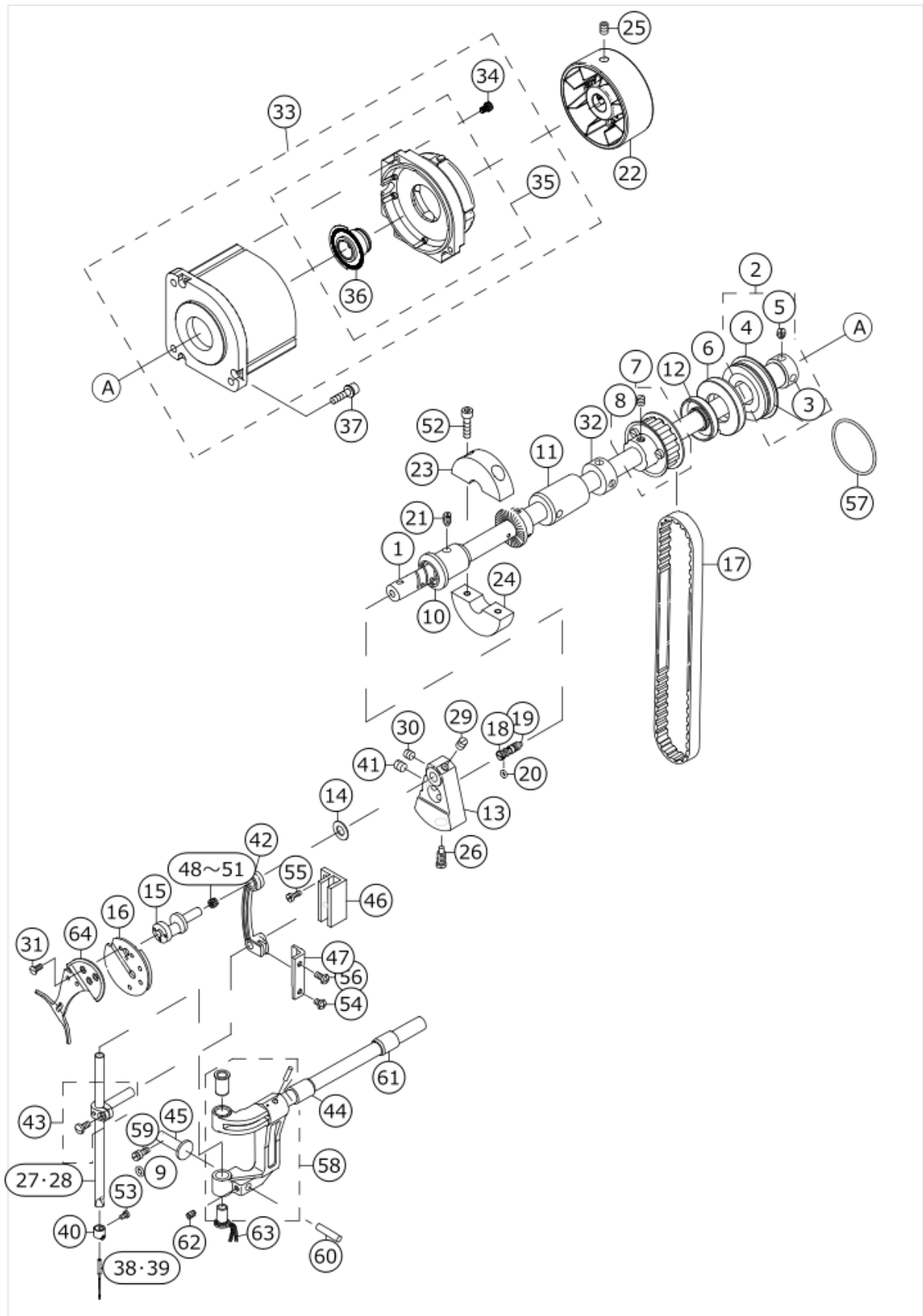
46	CM300200001	FINGER INJURY CAUTION LABEL (16)				1.00
47	18200501	WORK ATTACHMENT (SMALL)				1.00
48	40125651	THREAD_TENSION_ASM				1.00
49	23547557	THREAD TENSION T COMPL.		*		1.00
50	SS8090670SP	SCREW 9/64-40 L=5.5		*		1.00
51	22528152	THREAD TENSION ROD ASM.		*		1.00
52	23538309	THREAD TAKE-UP SPRING		*		1.00
53	40141101	THREAD_TENSION_POST_COMPL.		*		1.00
54	22528509	FELT		*		4.00
55	10006005	TENSION DISC HOLDER		*		1.00
56	B3121352000	TENSION SPRING		*		1.00
57	22921407	ROTATION STOPPER		*		1.00
58	23626005	THREAD TENSION NUT		*		1.00
59	RO118240100	O-RING		*		1.00
60	40125685	PRE-TENSION CONTROLLER ASM				1.00
61	SM8050812TP	SCREW M5X8				1.00
62	22542708	OPERATION SEAL	FOR LZ-2280B*			1.00
63	TA1250705R0	RUBBER PLUG				3.00
64	HX001500000	CABLE CLAMP	EXCEPT LZ-2284B7*			2.00
65	EA9500B0100	CABLE BAND	EXCEPT LZ-2284 B7WBAK*,LZ2284 B*0B*			2.00
66	D2467555B00	RUBBER PLUG	FOR LZ-2284B*0B*			1.00
67	D2467555B00	RUBBER PLUG	EXCEPT LZ-2284B7*			2.00
68	TA1050504R0	RUBBER PLUG	EXCEPT LZ-2284B7*			1.00
69	SS4120615SP	SCREW 3/16-28 L=6	EXCEPT LZ-2284B7*			2.00

FRAME & MISCELLANEOUS COVER COMPONENTS (2)



No.	品番	品名	備考	子部品	消耗品	個数
1	40125434	BED_SUPPORT_PLATE				1.00
2	40125435	GEAR_BOX_COVER_B_ASM				1.00
3	CM300200001	FINGER INJURY CAUTION LABEL (16)				1.00
4	22582407	NEEDLE PLATE	EXCEPT LZ-2280BA			1.00
5	22548010	NEEDLE PLATE	FOR LZ-2280BA			1.00
6	40150131	EAC_MARK_LABEL_S	FOR PLACE OF D ESTINATION BB			1.00
7	26300103	SEMILUNAR PLATE				1.00
8	26314757	SLIDE PLATE ASM				1.00
9	SS4110915SP	SCREW 11/64-40 L=9				4.00
10	40102261	SAFETY_LABEL_S				1.00
11	22901805	GROUND MARK				1.00
12	10037406	OIL SHIELD RUBBER				1.00
13	40035589	RULER PLATE				1.00
14	SM4040655SP	SCREW				1.00
15	SS4111015SP	SCREW 11/64-40 L=10				2.00
16	SS2090810SP	SCREW 9/64-40 L= 7.5				2.00
17	SS2090810SP	SCREW 9/64-40 L= 7.5				2.00
18	SS4110615SP	SCREW 11/64-40 L=6				2.00
19	TA0950806R0	RUBBER PLUG				1.00
20	CM600100101	WEEE MARK LABEL S	VARIOUS NOS.FO R DESTINATIONS			1.00
21	40125505	GEAR_BOX_COVER_A_ASM				1.00
22	40125504	GEAR_BOX_COVER_A_PACKING				1.00
23	10037307	OIL SHIELD PLATE				1.00
24	SM0050801SC	SCREW				2.00
25	SS4110915SP	SCREW 11/64-40 L=9				4.00
26	40272214	BOBBIN WINDER UNIT				1.00
27	A321600100A	RUBBER RING		*		1.00
28	22538854	BTW DRIVING WHEEL ASM.				1.00
29	SM0051001SC	SCREW M5X10				3.00
30	10032001	NYLON CAP				1.00
31	40037008	THREAD_CUTTER				1.00
32	SM0051001SC	SCREW M5X10				2.00
33	22538706	PACKING				1.00
34	22529481	BOBBIN THREAD TENSION ASM.				1.00
35	11072402	THREAD TENSION NUT		*		1.00
36	11093606	THREAD TENSION SPRING		*		1.00
37	B3214047000	BOBBIN WINDER TENSION DISC		*		2.00
38	22529473	BOBBIN THREAD TENSION ROD ASM.		*		1.00
39	NS6110310SP	HEXAGONAL NUT 11/64-40		*		1.00
40	SS7110840SP	SCREW 11/64-40 L=7.8				1.00
41	D3162555B00	THREAD GUIDE				1.00

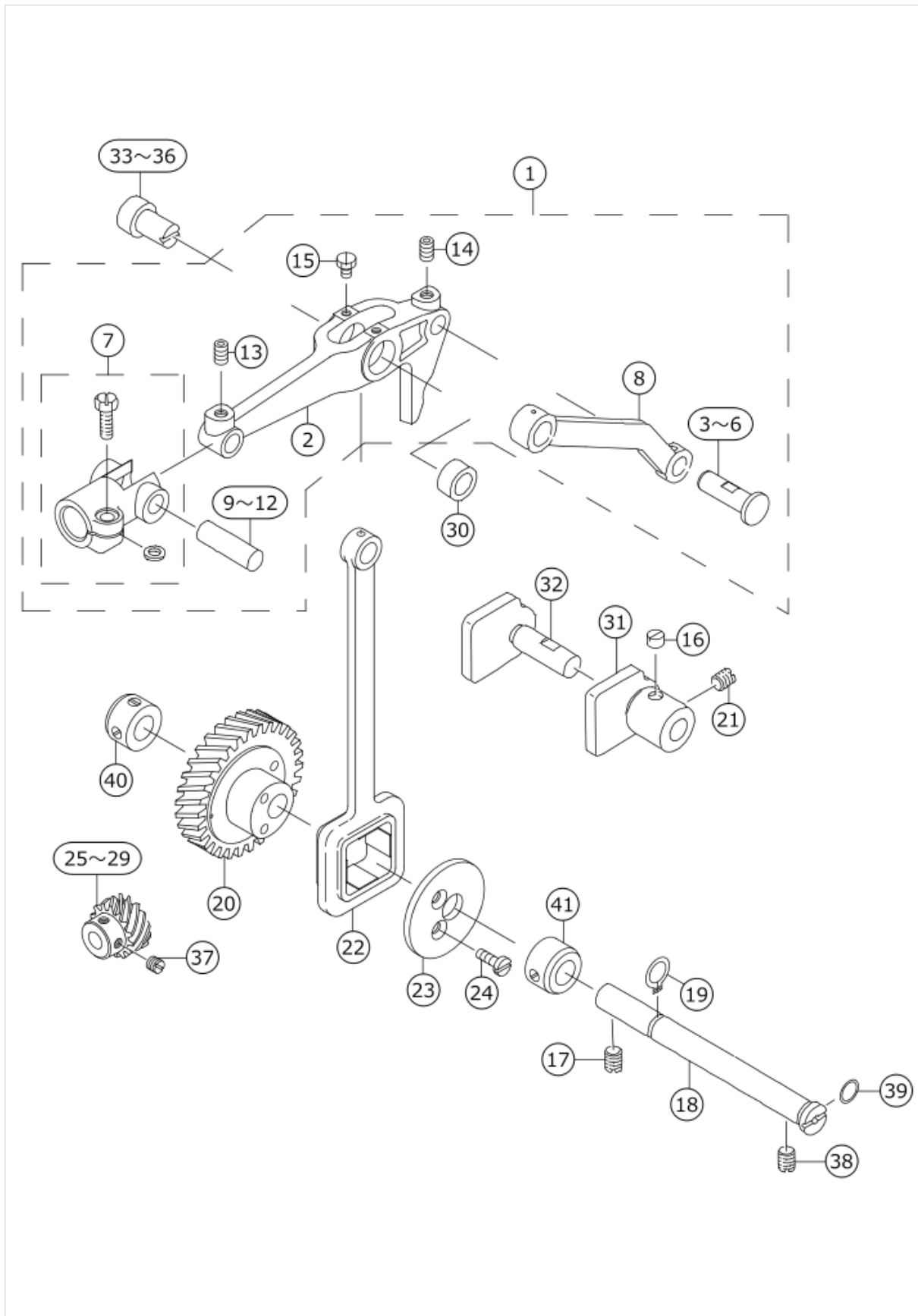
MAIN SHAFT & NEEDLE BAR COMPONENTS



No.	品番	品名	備考	子部品	消耗品	個数
1	40272174	MAIN_SHAFT				1.00
2	40125451	THRUST_COLLAR_ASM				1.00
3	22505200	THRUST COLLAR		*		1.00
4	SB120002700	BEARING		*		1.00
5	SS8660610TP	SCREW 1/4-40 L=6		*		2.00
6	40125453	OIL_SEAL_COLLAR				1.00
7	40044872	SPROCKET UPPER ASM.				1.00
8	SS8660610TP	SCREW 1/4-40 L=6		*		2.00
9	RO048190100	RUBBER RING				1.00
10	40040372	MAIN SHAFT BUSHING				1.00
11	40125455	MAIN SHAFT BUSHING M				1.00
12	40105231	OIL SEAL				1.00
13	26300202	COUNTERWEIGHT				1.00
14	13312202	THRUST_WASHER				1.00
15	26300301	NEEDLE BAR CRANK				1.00
16	10008753	TAKE-UP COUNTERWEIGHT ASM.				1.00
17	22505705	TIMING BELT				1.00
18	26304402	PIN				1.00
19	B1810552000	OIL WICK				1.00
20	RO029180100	O-RING				1.00
21	SS8151150TP	SCREW 15/64-28 L=10.5				1.00
22	40272176	HAND_PULLEY				1.00
23	40125458	MAIN_FLY_WHEEL_UPPER				1.00
24	40125459	MAIN_FLY_WHEEL_LOWER				1.00
25	SM80608A2TP	SCREW M6 L=8				2.00
26	40189537	SCREW 9/32-28 L=15.5				1.00
27	22507818	NEEDLE BAR	FOR PLACE OF D ESTINATION AA, GG			1.00
28	40015494	NEEDLE BAR	FOR PLACE OF D ESTINATION BB			1.00
29	SS8660610TP	SCREW 1/4-40 L=6				2.00
30	SS8660610TP	SCREW 1/4-40 L=6				2.00
31	SS1090930SP	SCREW 9/64-40 L=8.6				3.00
32	22904155	MAIN SHAFT THRUST COLLAR ASM.				1.00
33	40272219	AC_SERVO_MOTOR				1.00
34	SL6041242TN	SCREW M4 L=12		*		3.00
35	40275270	ENCODER_ASM.		*		1.00
36	40275269	ENCODER_DISK		*		1.00
37	SL6052092TN	SCREW M5 L=20				3.00
38	MDP134B1000	NEEDLE DPX134 #10	FOR PLACE OF D ESTINATION AA, GG			1.00
39	MC192300750	NEEDLE 438 #75	FOR PLACE OF D ESTINATION BB			1.00
40	22507701	THRED RACK, RIGHT				1.00
41	SS8680730SP	SCREW 9/32-28 L=7				1.00
42	40082351	NEEDLE BAR CRANK ROD ASM.				1.00
43	40070532	NEEDLE_BAR_CONNECTION_ASM.				1.00
44	22913008	FEED ROCKER SHAFT BUSHING				1.00

45	26305904	NEEDLE BAR YOKE PRESSER				1.00
46	22508006	NEEDLE BAR CONNECTION GUIDE				1.00
47	26300400	CLANK ROD GUIDE				1.00
48	B1905541A00	NEEDLE BEARING	SELECTIVE PARTS			1.00
49	B1905541B00	NEEDLE BEARING	SELECTIVE PARTS			1.00
50	B1905541C00	NEEDLE BEARING	SELECTIVE PARTS			1.00
51	B1905541D00	NEEDLE BEARING	SELECTIVE PARTS			1.00
52	SM6052002TP	SCREW M5 L=20				2.00
53	SS7080520SP	SCREW 1/8-44 L=4.9				1.00
54	SS4110615SP	SCREW 11/64-40 L=6				1.00
55	SS4110915SP	SCREW 11/64-40 L=9				2.00
56	SS4110915SP	SCREW 11/64-40 L=9				1.00
57	RO437200200	O-RING				1.00
58	26300962	NEEDLE BAR YOKE ASM.				1.00
59	26306001	SCREW				1.00
60	10013407	GUIDE PIN				1.00
61	26301408	METAL				1.00
62	SS8120740SP	SCREW 3/16-28 L=7				1.00
63	CQ202000000	COTTON OIL WICK D=2				0.10
64	22506208	BALANCE V				1.00

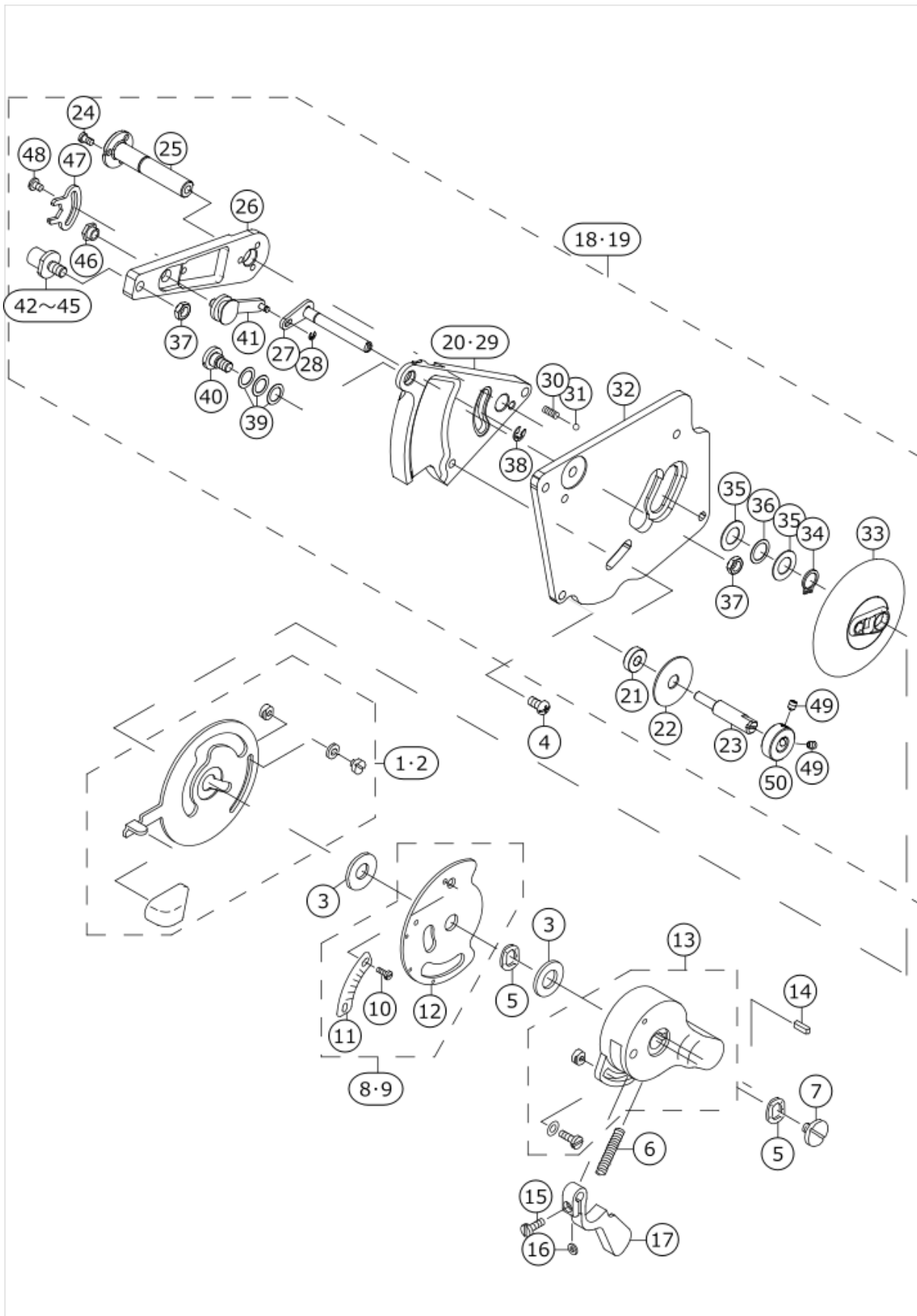
NEEDLE VIBRATOR & ADJUSTMENT COMPONENTS (1)



No.	品番	品名	備考	子部品	消耗品	個数
1	22509756	DRIVE LINK ASM.				1.00
2	40065490	DRIVE LINK		*		1.00
3	26307405	SHAFT A	SELECTIVE PARTS	*		1.00
4	26307504	SHAFT	SELECTIVE PARTS	*		1.00
5	26307603	SHAFT C	SELECTIVE PARTS	*		1.00
6	26307702	SHAFT D	SELECTIVE PARTS	*		1.00
7	40056375	SHAFT CONNECTION ASM		*		1.00
8	26302307	LINK		*		1.00
9	10012904	PIN D	SELECTIVE PARTS	*		1.00
10	10012607	PIN	SELECTIVE PARTS	*		1.00
11	10012706	PIN B	SELECTIVE PARTS	*		1.00
12	10012805	PIN C	SELECTIVE PARTS	*		1.00
13	SM8050812TP	SCREW M5X8		*		1.00
14	SM8050812TP	SCREW M5X8		*		1.00
15	SS9090610TP	SCREW 9/64-40 L=5.5		*		2.00
16	SS8660410SP	SCREW 1/4-40 L= 4.2				1.00
17	SS8660810TP	SCREW 1/4-40 L=8				1.00
18	26300608	NEEDLE VIBRATING CAM SHAFT				1.00
19	RC0100001KP	C-RING 10 (9.3)				1.00
20	22542500	NEEDLE VIBRATING CAM				1.00
21	SS8150710SP	SCREW 15/64-28 L=7				1.00
22	22510101	NEEDLE VIBRATING ROD				1.00
23	22510200	CAM COVER				1.00
24	SS2110920TP	SCREW 11/64-40 L=8.5				2.00
25	10011005	SCREW GEAR A	SELECTIVE PARTS			1.00
26	10011104	SCREW GEAR B	SELECTIVE PARTS			1.00
27	10011203	SCREW GEAR C	SELECTIVE PARTS			1.00
28	10011302	SCREW GEAR D	SELECTIVE PARTS			1.00
29	10014009	SCREW GEAR E	SELECTIVE PARTS			1.00
30	10012201	BUSHING				1.00
31	10012417	DRIVE LINK GUIDE A				1.00
32	10012516	DRIVE LINK GUIDE B				1.00
33	26301002	SHAFT A	SELECTIVE PARTS			1.00
34	26301101	SHAFT B	SELECTIVE PARTS			1.00
35	26301200	SHAFT C	SELECTIVE PARTS			1.00

36	26301309	SHAFT D	SELECTIVE PARTS			1.00
37	SS8660610TP	SCREW 1/4-40 L=6				2.00
38	SS8660970TP	SCREW 1/4-40 L= 8.5				1.00
39	RO069180100	O-RING				1.00
40	CS1031210SH	THRUST COLLAR ASM. D=10.32 W=12				1.00
41	CS103121BSH	THRUST COLLAR ASM. D=10.32 W=12				1.00

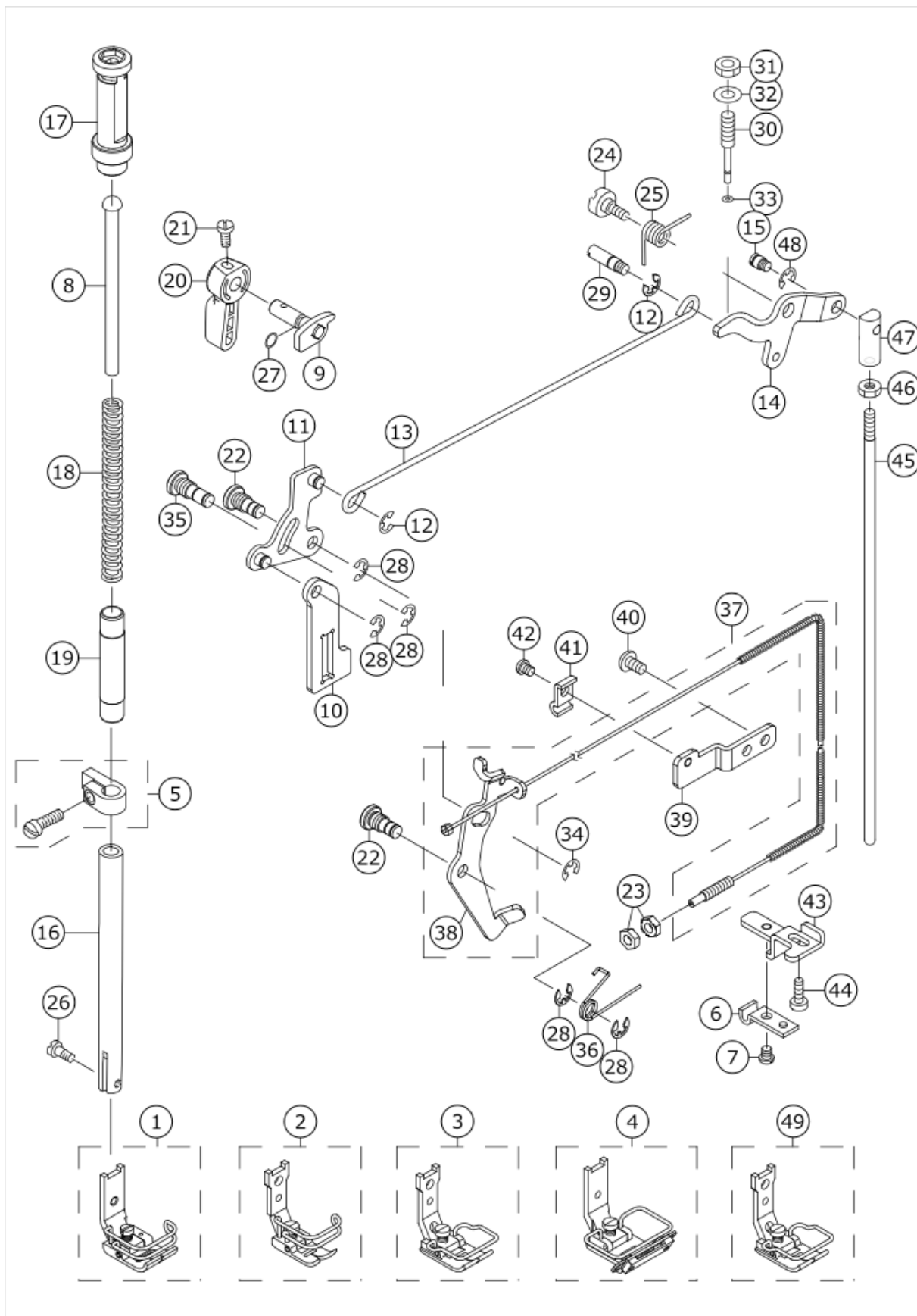
NEEDLE VIBRATOR & ADJUSTMENT COMPONENTS (2)



No.	品番	品名	備考	子部品	消耗品	個数
1	26307157	LEVER ASM.				1.00
2	22573257	CHANGING LEVER ASM.	FOR LZ-2284B(-7)			1.00
3	WP1021016SD	WASHER				2.00
4	SS4120915SP	SCREW 3/16-28 L=9				4.00
5	WZ1052010KP	WAVED WASHER				2.00
6	10017705	SPRING				1.00
7	SS7620750SP	SCREW 3/16-32 L= 6.5				1.00
8	22540769	SCALE PLATE ASM.				1.00
9	40125668	SCALE_PLATE_ASM_84	FOR LZ-2284B(-7)			1.00
10	SS6080320SP	SCREW 1/8-44 L= 2.5		*		2.00
11	22512313	SCALE PLATE		*		1.00
12	26306951	DIAL PLATE		*		1.00
13	22512156	KNOB ASM.				1.00
14	10015105	KEY				1.00
15	SS7090910TP	SCREW 9/64-40 L= 8.5				1.00
16	WP0371036SD	WASHER 3.7X6X1				1.00
17	26306803	LEVER				1.00
18	40125439	CHANGE_BASE_ASM_80				1.00
19	40125445	CHANGE_BASE_ASM_84	FOR LZ-2284B(-7)			1.00
20	26319004	NEEDLE POSITION ADJUSTING BASE	FOR LZ-2284B(-7)	*		1.00
21	40009109	ROLLER	FOR LZ-2284B(-7)	*		1.00
22	22573505	PACKING	FOR LZ-2284B(-7)	*		1.00
23	23521305	ADJUSTING PICK-UP SCREW	FOR LZ-2284B(-7)	*		1.00
24	SS6090620TP	SCREW		*		3.00
25	26307306	SHAFT		*		1.00
26	26301507	REGULATING LEVER		*		1.00
27	10015360	LEVER ASM.		*		1.00
28	RE0200000K0	E-RING 2		*		1.00
29	26302703	NEEDLE POSITION ADJUSTING BASE		*		1.00
30	10017408	SPRING		*		1.00
31	B2608761000	HAND STOP CRANK SHAFT BALL		*		1.00
32	40125443	BASE_MOUNTING_PLATE		*		1.00
33	10017606	OIL SHIELD		*		1.00
34	RC0100001KP	C-RING 10 (9.3)		*		1.00
35	WP1020616SD	WASHER		*		2.00
36	WZ1052010KP	WAVED WASHER		*		1.00
37	NS6150310SP	NUT 15/64-28		*		2.00
38	RE0400000K0	E-RING 4		*		1.00
39	WZ0850302K0	WAVED WASHER 8.5X12.5X0.3		*		3.00
40	SD0800402TP	SHOULDER SCREW D=8 H=4		*		1.00
41	10017168	STOPPER ASM.		*		1.00
42	10016210	SHAFT	SELECTIVE PARTS	*		1.00

43	10016319	SHAFT	SELECTIVE PARTS	*		1.00
44	10016418	SHAFT	SELECTIVE PARTS	*		1.00
45	10016517	SHAFT	SELECTIVE PARTS	*		1.00
46	10018000	NUT		*		1.00
47	10018109	NUT STOPPER		*		1.00
48	SS6090520SP	SCREW 9/64-40 L= 5.0		*		1.00
49	SM8040502TP	SCREW M4X0.7 L=5	FOR LZ-2284B(-7)	*		2.00
50	23521404	ADJUSTING PICK-UP	FOR LZ-2284B(-7)	*		1.00

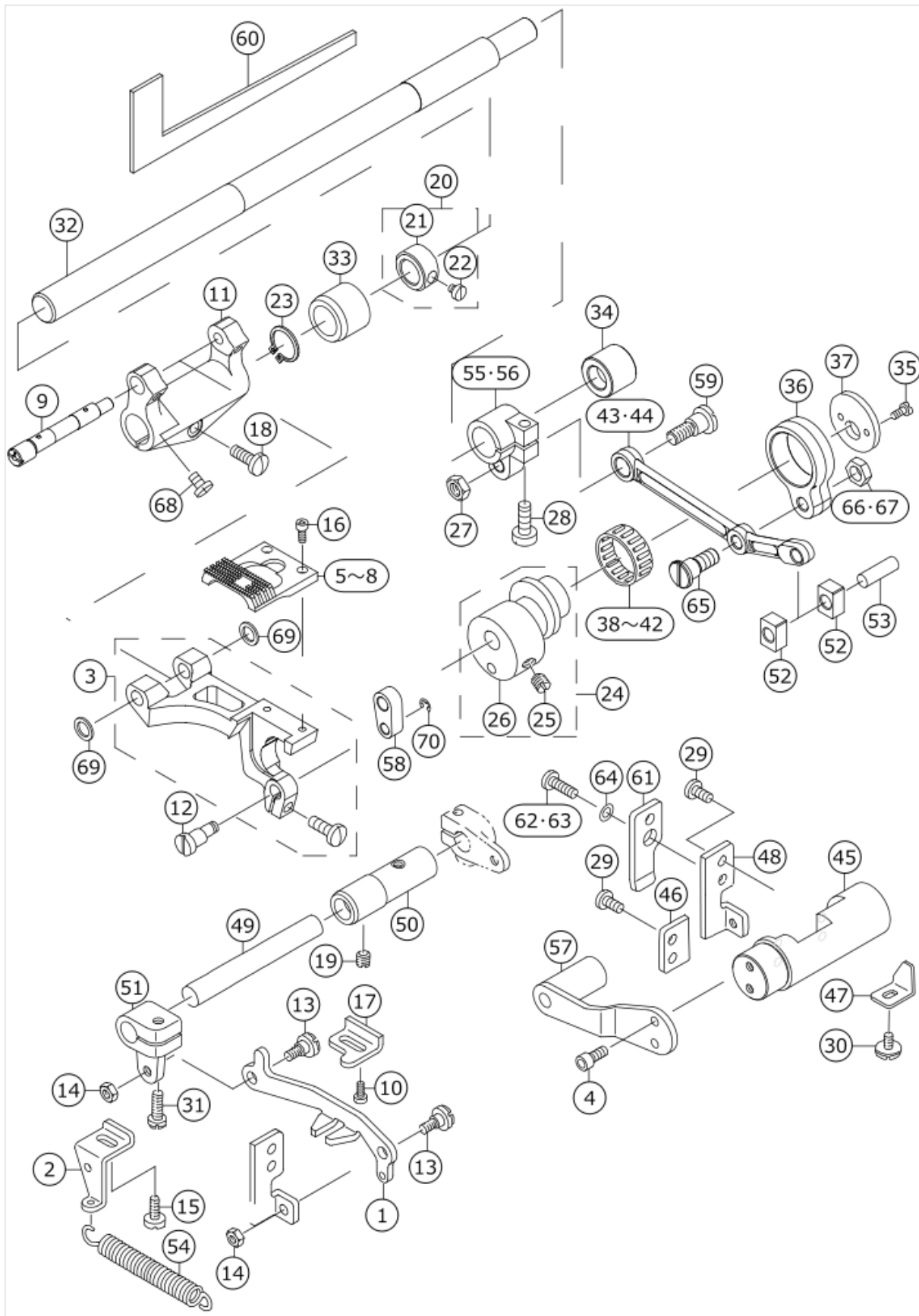
PRESSER BAR & FEED REGULATOR COMPONENTS



No.	品番	品名	備考	子部品	消耗品	個数
1	10045052	PRESSER FOOT ASM.	FOR LZ-2280BB			1.00
2	22548671	PRESSER FOOT ASM.	FOR LZ-2280BA			1.00
3	40138514	PRESSER FOOT ASM.	FOR FOR LZ-228 4B,LZ2284B0B			1.00
4	MAB109000B0	TAPING FOOT	FOR LZ-2284BT			1.00
5	40070531	PRESSER_BAR_CONNECTION_ASM.				1.00
6	40236958	OUTER PRESSER PLATE	FOR LZ-2284B7			1.00
7	SS4110715SP	SCREW 11/64-40 L=7	FOR LZ-2284B7			1.00
8	22907703	PRESSER GUIDE BAR				1.00
9	26307850	PRESSER LIFTER CAM COMPL.				1.00
10	40125470	LIFTING PLATE				1.00
11	22908156	LIFTING LINK ASM.				1.00
12	RE0500000K0	E-RING				2.00
13	22908305	KNEE LIFTER SIDE ROD				1.00
14	40125471	LIFTER LEVER LINK				1.00
15	B3416552000	CONNECTING ROD HINGE SCREW				1.00
16	40125469	PRESSER_BAR				1.00
17	40037359	PRESSER SPRING REGURATOR ASM.				1.00
18	22907406	PRESSER SPRING				1.00
19	22907109	PRESSER BAR BUSHING, LOWER				1.00
20	22907802	HAND LIFTER				1.00
21	B1521555000	SCREW				1.00
22	22908701	LINK SHAFT				2.00
23	NS6620310SP	HEXAGONAL NUT 3/16-32	FOR LZ-2284B7			2.00
24	GAK33041000	KNEE LIFTING LINK STEP-SCREW				1.00
25	GAK33042000	KNEE LIFTING LINK SPRING				1.00
26	SS7090910TP	SCREW 9/64-40 L= 8.5				1.00
27	RO037180100	O-RING				1.00
28	RE0500000K0	E-RING				5.00
29	40125666	SHAFT_PIN_AK				1.00
30	40125474	ADJUST SCREW				1.00
31	NM6060003SE	NUT M6X1 TYPE3				1.00
32	WP0621016SD	WASHER 6.2X13X1				1.00
33	RO025100100	O-RING				1.00
34	RE0500000K0	E-RING				1.00
35	22920102	TENSION RELEASE SHAFT				1.00
36	40125663	RETURN_SPRING				1.00
37	40125479	THREAD_RELEASE_PLATE_ASM	FOR LZ-2284B7			1.00
38	40125475	TENSION RELEASE PLATE	EXCEPT LZ-2284B7	*		1.00
39	40125473	WIRE HOLDER UPPER	FOR LZ-2284B7			1.00
40	SS4120915SP	SCREW 3/16-28 L=9	FOR LZ-2284B7			2.00
41	40125662	WIRE PRESSER UPPER	FOR LZ-2284B7			1.00
42	SS4110715SP	SCREW 11/64-40 L=7	FOR LZ-2284B7			1.00
43	40125476	WIRE HOLDER LOWER	FOR LZ-2284B7			1.00
44	SS6111140SP	SCREW 11/64-40 L=11	FOR LZ-2284B7			1.00
45	10022606	CONNECTING ROD				1.00
46	NS6620310SP	HEXAGONAL NUT 3/16-32				1.00
47	B3416555000	SWIVEL				1.00
48	RE0500000K0	E-RING				1.00

49	40142886	PRESSER FOOT ASM.	FOR LZ-2280BA-BB			1.00
----	----------	-------------------	------------------	--	--	------

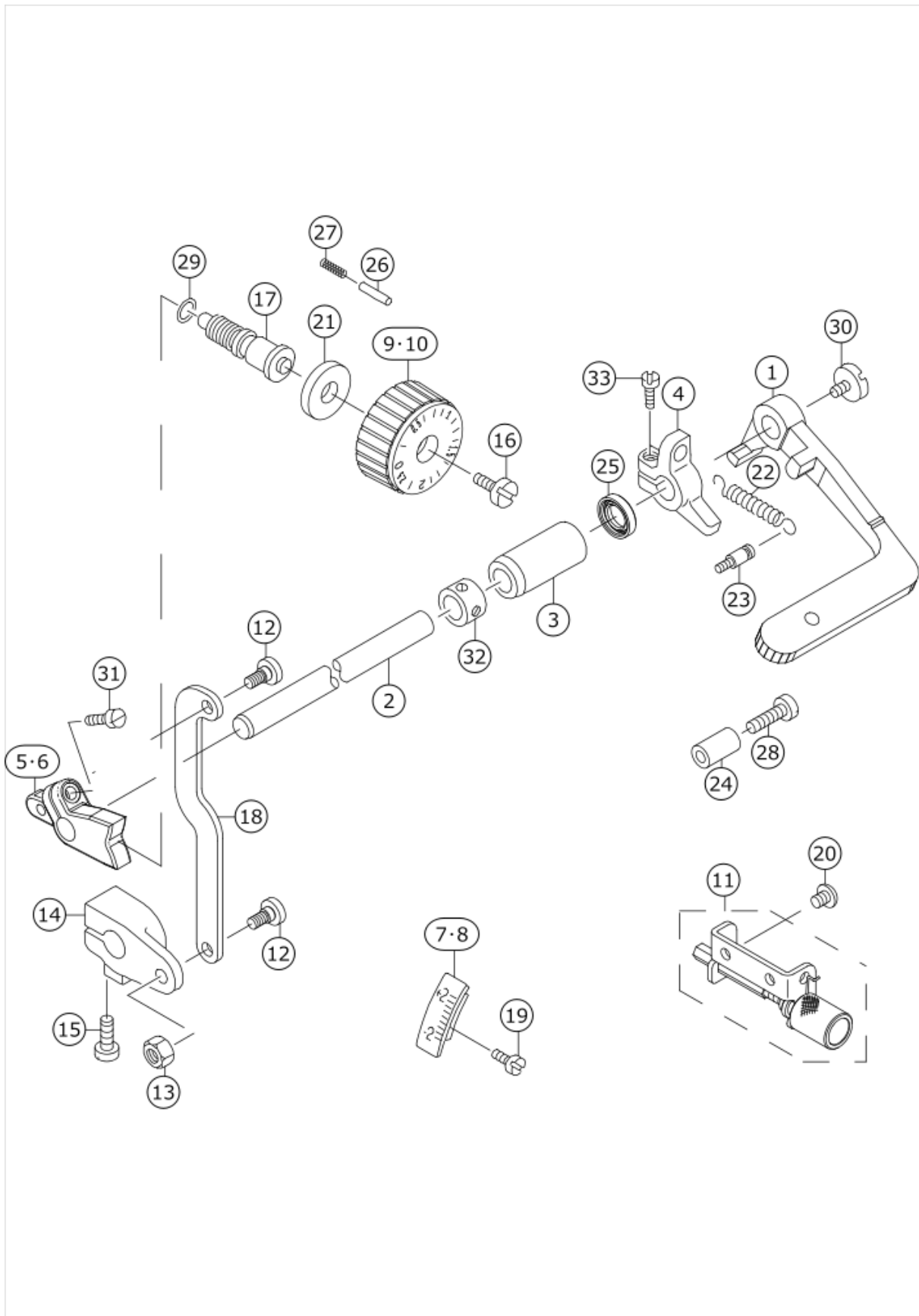
FEED MECHANISM COMPONENTS



No.	品番	品名	備考	子部品	消耗品	個数
1	26309104	LINK				1.00
2	22519607	TENSION SPRING RACK				1.00
3	40031418	FEED BASE ASM				1.00
4	SS6111052TP	SCREW	FOR LZ-2280BB			2.00
5	40125484	FEED_DOG	FOR LZ-2280BA			1.00
6	22548119	FEED DOG	FOR LZ-2280BB			1.00
7	22581508	FEED DOG	FOR LZ-2284B			1.00
8	22548804	FEED DOG	FOR LZ-2280BA-BB			1.00
9	40035702	FEED BASE SHAFT				1.00
10	SS6111140SP	SCREW 11/64-40 L=11	EXCEPT LZ-2284B7			1.00
11	40055832	FEED ROCER				1.00
12	26303107	LINK SHAFT				1.00
13	SD0600321SP	HINGE SCREW D=6 H=3.2				2.00
14	NS6120310SP	HEXAGONAL NUT 3/16-28				2.00
15	SS6111140SP	SCREW 11/64-40 L=11				1.00
16	SS6580752TP	SCREW 1/8-40 L=7				2.00
17	40272293	REVERSE_FEED_LIMITER	EXCEPT LZ-2284B7			1.00
18	SS7121410TP	SCREW 3/16-28 L=14				1.00
19	SS8150510TP	SCREW 15/64-28 L= 4.7				1.00
20	40272279	FEED SHAFT THRUST COLLAR ASM.				1.00
21	22904106	MAIN SHAFT THRUST COLLAR		*		1.00
22	SS8660610TP	SCREW 1/4-40 L=6		*		1.00
23	RC0150001KP	C-RING 15(13.8)	EXCEPT LZ-2284B7			1.00
24	10026763	ECCENTRIC CAM ASM.				1.00
25	SS8660810TP	SCREW 1/4-40 L=8		*		2.00
26	10026706	ECCENTRIC CAM		*		1.00
27	NS6680410SP	HEXAGONAL NUT 9/32-28				1.00
28	SS6121610TP	SCREW 3/16-28 L=15.5				1.00
29	SS7110910TP	SCREW 11/64-40 L= 8.5				3.00
30	SS5110710SP	SCREW 11/64-40 L=7				1.00
31	SS7121410TP	SCREW 3/16-28 L=14				1.00
32	40272272	FEED_ROCKER_SHAFT				1.00
33	22913008	FEED ROCKER SHAFT BUSHING				1.00
34	40272273	FEED_ROCKER_SHAFT_BUSHING_BACK				1.00
35	SS4080620TP	SCREW 1/8-44 L=6				2.00
36	26300509	HORIZONTAL FEED ROD				1.00
37	10026904	SIDE DISC PLATE				1.00
38	B1609804A00	BUSHING	SELECTIVE PARTS			1.00
39	B1609804B00	NEEDLE BEARING B	SELECTIVE PARTS			1.00
40	B1609804C00	BEARING	SELECTIVE PARTS			1.00
41	B1609804D00	BEARING	SELECTIVE PARTS			1.00
42	B1609804E00	BEARING	SELECTIVE PARTS			1.00

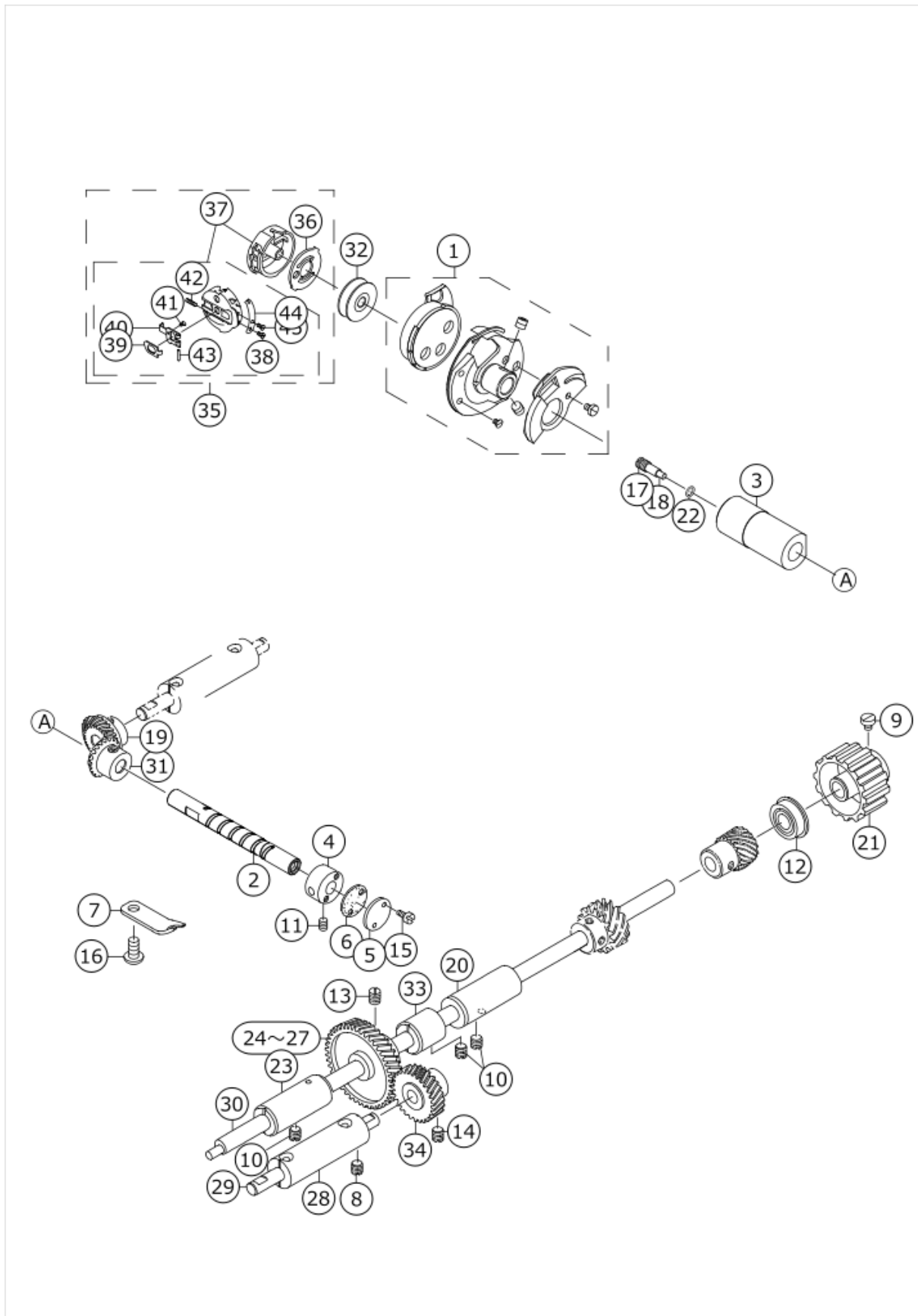
43	40010276	HORIZONTAL FEED JUNCTION ROD	FOR LZ-2280BB			1.00
44	26303206	HORIZONTAL FEED JUNCTION ROD	EXCEPT LZ-2280BB			1.00
45	B1608555000	FEED ROCKER SHAFT CRANK ARM				1.00
46	26303404	CAP				1.00
47	10027506	STOPPER PLATE				1.00
48	10027407	PLATE B				1.00
49	26303503	FEED CHANGE SHAFT				1.00
50	40043912	BUSHING				1.00
51	26303701	TRANSFER ARM C				1.00
52	40050457	FEED DRIVING ROCKER BLOCK				2.00
53	40032271	FEED DRIVING ROCKER BLOCK PIN				1.00
54	B1646555000	TENSION SPRING				1.00
55	B16085550A0	FEED ROCKER SHAFT CRANK ASM.	FOR LZ-2280BB			1.00
56	10027100	FEED ROCKER SHAFT CRANK	EXCEPT LZ-2280BB			1.00
57	22540454	BALANCE WEIGHT COMPL	FOR LZ-2280BB			1.00
58	22520001	LINK				1.00
59	SD0900701TP	SHOULDER SCREW D=9 H=7				1.00
60	40272283	FELT				1.00
61	22540108	PRESSING PLATE	FOR LZ-2280BB			1.00
62	SS7110910TP	SCREW 11/64-40 L= 8.5	EXCEPT LZ-2280BB			1.00
63	SS7111410TP	SCREW 11/64-40 L=14	FOR LZ-2280BB			1.00
64	WP0480856SP	WASHER 4.8X8.4X0.8	FOR LZ-2280BB			1.00
65	SD0900701TP	SHOULDER SCREW D=9 H=7				1.00
66	NS6680410SP	HEXAGONAL NUT 9/32-28	EXCEPT LZ-2280BB			1.00
67	NS6680320SP	NUT 9/32-28	FOR LZ-2280BB			1.00
68	SS7120710SP	SCREW 3/16-28 L=7				2.00
69	10026201	SPACER				2.00
70	RE0300000K0	E-RING 3				1.00

FEED MECHANISM & CONDENSE COMPONENTS



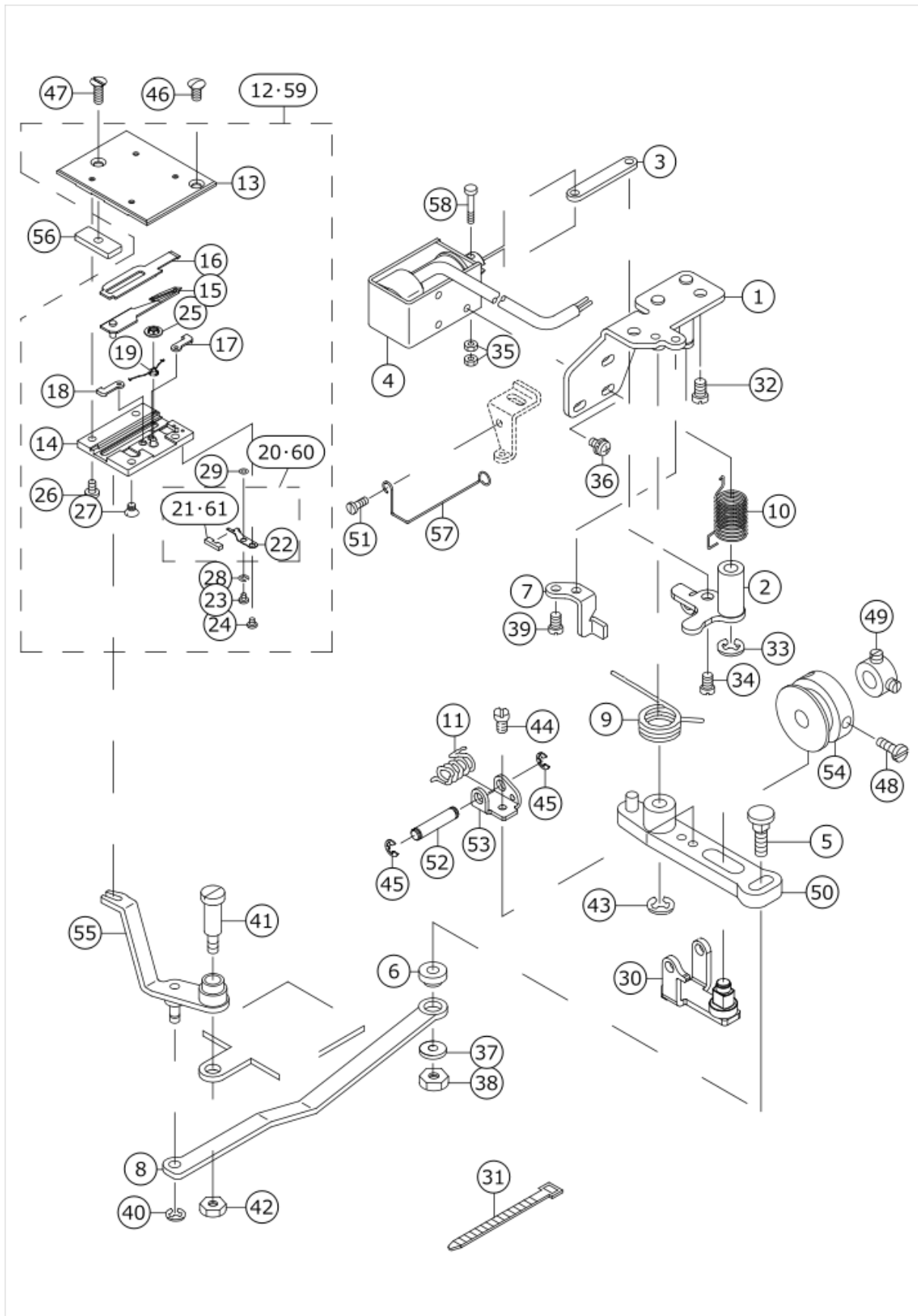
No.	品番	品名	備考	子部品	消耗品	個数
1	40272212	LEVER				1.00
2	26312405	FEED REGULATOR SHAFT				1.00
3	26308205	BUSHING				1.00
4	26308353	STOPPER ARM ASM.				1.00
5	26308403	ADJUSTER				1.00
6	22541106	FEED DRIVING ADJUSTER	FOR LZ-22880BB			1.00
7	22519805	SCALE PLATE				1.00
8	22540207	SCALE PLATE	FOR LZ-22880BB			1.00
9	26302000	FEED DIAL				1.00
10	22911903	FEED DIAL	FOR LZ-22880BB			1.00
11	40057195	CONDENSE KNOB ASM				1.00
12	SD0600321SP	SHOULDER SCREW D=6 H=3.2				2.00
13	NS6120310SP	HEXAGONAL NUT 3/16-28				1.00
14	26303602	TRANSFER ARM B				1.00
15	SS6121610TP	SCREW 3/16-28 L=15.5				1.00
16	SS6121860SP	SCREW 3/16-28 L=18				1.00
17	22519201	ADJUSTING SCREW				1.00
18	26314401	FEED CHANGE LINKA				1.00
19	SS4120615SP	SCREW 3/16-28 L=6				2.00
20	SS4120615SP	SCREW 3/16-28 L=6				2.00
21	D2468555B00	RUBBER PLUNGER				1.00
22	D2515232D00	TORSION SPRING				1.00
23	26226407	TENSION SPRING HOOK				1.00
24	22952501	BACK LEVER STOPPER				1.00
25	40176173	OIL SEAT				1.00
26	22912000	FEED REGULATOR PIN				1.00
27	22912109	FEED REGULATOR PIN SPRING				1.00
28	SS6121840SP	SCREW 3/16-28 L=18				1.00
29	RO074240100	RUBBER RING				1.00
30	SS7620750SP	SCREW 3/16-32 L= 6.5				1.00
31	SS7121410TP	SCREW 3/16-28 L=14				1.00
32	CS1031210SH	THRUST COLLAR ASM. D=10.32 W=12				1.00
33	SS7121410TP	SCREW 3/16-28 L=14				1.00

HOOK DRIVING SHAFT & HOOK COMPONENTS



No.	品番	品名	備考	子部品	消耗品	個数
1	22525877	HOOK COMPL. V				1.00
2	40125500	HOOK SHAFT				1.00
3	40125501	HOOK_SHAFT_BUSHING_F				1.00
4	40125502	HOOK_SHAFT_BUSHING_R				1.00
5	10031615	BUSHING CAP				1.00
6	10031714	GASKET				1.00
7	23503402	INNER HOOK STOPPER				1.00
8	SS8150710TP	SCREW 15/64-28 L=7				1.00
9	SS6660710TP	SCREW 1/4-40 L=7				2.00
10	SS8150710TP	SCREW 15/64-28 L=7				3.00
11	SS8150822TP	SCREW 15/64-28 L=8				1.00
12	SB109530100	BEARING D=9.52X22.22				1.00
13	SS8660810TP	SCREW 1/4-40 L=8				2.00
14	SS8660810TP	SCREW 1/4-40 L=8				2.00
15	SS4080620TP	SCREW 1/8-44 L=6				2.00
16	SS4110915SP	SCREW 11/64-40 L=9				1.00
17	22916506	SET SCREW				1.00
18	11015906	OIL WICK				1.00
19	B13071550A0	GEAR ASM. LARGE				1.00
20	10030310	BUSHING REAR				1.00
21	10030401	HOOK DRIVING SHAFT SPROCKET				1.00
22	RO036080200	RUBBER RING				1.00
23	40272177	LOWER_SHAFT_BUSHING_FRONT				1.00
24	10030609	HELICAL GEAR A	SELECTIVE PARTS			1.00
25	10030708	HELICAL GEAR A	SELECTIVE PARTS			1.00
26	10030807	HELICAL GEAR A	SELECTIVE PARTS			1.00
27	10030906	HELICAL GEAR A	SELECTIVE PARTS			1.00
28	26309609	METAL				1.00
29	26309708	HOOK DRIVING SHAFT				1.00
30	40010305	LOWER SHAFT				1.00
31	B13081550A0	PINION ASM.				1.00
32	22596704	BOBBIN S				1.00
33	10030211	BUSHING INTERMEDIATE				1.00
34	10031003	HELICAL GEAR B				1.00
35	40125507	BOBBIN CASE ASM.				1.00
36	13729702	BOBBIN CASE SPRING		*		1.00
37	40125508	BOBBIN CASE COMPL.		*		1.00
38	19801604	SMS-609-B/ SETSCREW TENSION SPRING		*		1.00
39	19800903	LC-601-1/ LATCH LEVER		*		1.00
40	19801000	LC-602-2/ LATCH		*		1.00
41	19801307	SMS-801-B/ SETSCREW PICK-UP		*		1.00
42	19801109	LSP-4/ LATCH SPRING		*		1.00
43	19801208	LFP-1/ LATCH PIN		*		1.00
44	19801406	TSP-604-B/ TENSION SPRING		*		1.00
45	19801505	SMS-608-B/ TENSION SCREW		*		1.00

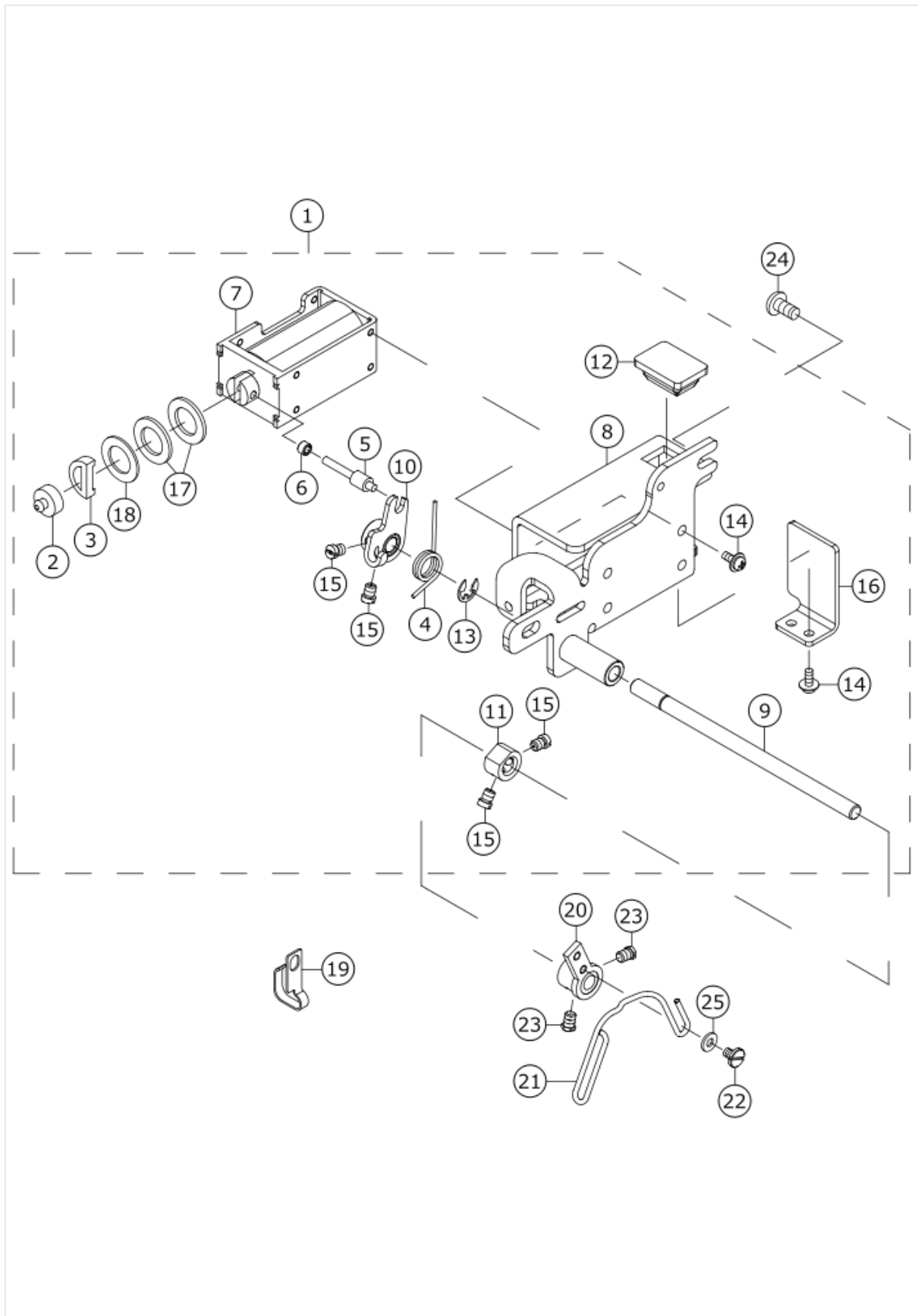
THREAD TRIMMER MECHANISM COMPONENTS



No.	品番	品名	備考	子部品	消耗品	個数
1	22554158	BASE PLATE ASM.				1.00
2	40125531	ASSY CLUTCH PLATE				1.00
3	22554505	CLUTCH LINK				1.00
4	40272268	THREAD_TRIMMER_SOLENOID				1.00
5	40010295	MOVING KNIFE LINK PIN				1.00
6	22554802	MOVING KNIFE LINK BASE				1.00
7	22554901	DRIVING ARM STOPPER				1.00
8	22555007	MOVING KNIFE LINK				1.00
9	22555106	KNIFE RETURN SPRING				1.00
10	22555205	CLUTCH SPRING				1.00
11	22555304	ROLLER RETURN SPRING				1.00
12	22557458	KNIFE UNIT	FOR GG			1.00
13	22558308	SLIDING PLATE		*		1.00
14	22558407	KNIFE BASE		*		1.00
15	22557557	DRIVING KNIFE ASM.		*		1.00
16	22557706	FIXED KNIFE		*		1.00
17	22557805	KNIFE STOPPER, RIGHT		*		1.00
18	22557904	KNIFE STOPPER, LEFT		*		1.00
19	22558209	SPRING		*		1.00
20	22558159	CLAMP PLATE ASM.	FOR GG	*		1.00
21	22558001	FELT	FOR GG	*		1.00
22	22558100	CLAMP PLATE		*		1.00
23	SS7060310SP	SCREW 3/32-56 L=3		*		1.00
24	SS7060310SP	SCREW 3/32-56 L=3		*		1.00
25	40242772	LOCATING_SPRING_WASHER		*		1.00
26	SS7090610SP	SCREW 9/64-40 L=6		*		2.00
27	SS1090510SP	SCREW 9/64-40 L=5		*		2.00
28	WS0270002KN	SPRING WASHER M2.6		*		1.00
29	D2056772B0B	WASHER B T=0.4		*		1.00
30	40224910	ROLLER_ARM_ASM				1.00
31	EA9500B0100	CABLE BAND				2.00
32	SS4150915SP	SCREW 15/64-28 L=9				2.00
33	RE0600000K0	E-RING 6				1.00
34	SD0600291TP	HINGE SCREW D=6 H=2.9				1.00
35	NM6030001SB	NUT M3X0.5 TYPE1				2.00
36	SL4040881SC	SCREW M4 L=8				3.00
37	WP0621016SH	WASHER				1.00
38	NS6150430SP	HEXAGONAL NUT 15/64-28				1.00
39	SS4110915SP	SCREW 11/64-40 L=9				2.00
40	RE0500000K0	E-RING				1.00
41	SD0791503SP	HINGE SCREW D=7.94 H=15				1.00
42	NS6150310SP	NUT 15/64-28				1.00
43	RE0600000K0	E-RING 6				1.00
44	SS7090610SP	SCREW 9/64-40 L=6				1.00
45	RE0400000K0	E-RING 4				2.00
46	SS2110920TP	SCREW 11/64-40 L=8.5				1.00
47	SS2111010TP	SCREW 11/64-40 L=9.5				1.00
48	SS6660710TP	SCREW 1/4-40 L=7				2.00
49	CS095101BSH	THRUST COLLAR ASM. D=9.53 W=10				1.00
50	22948558	KNIFE DRIVING ARM ASM.				1.00

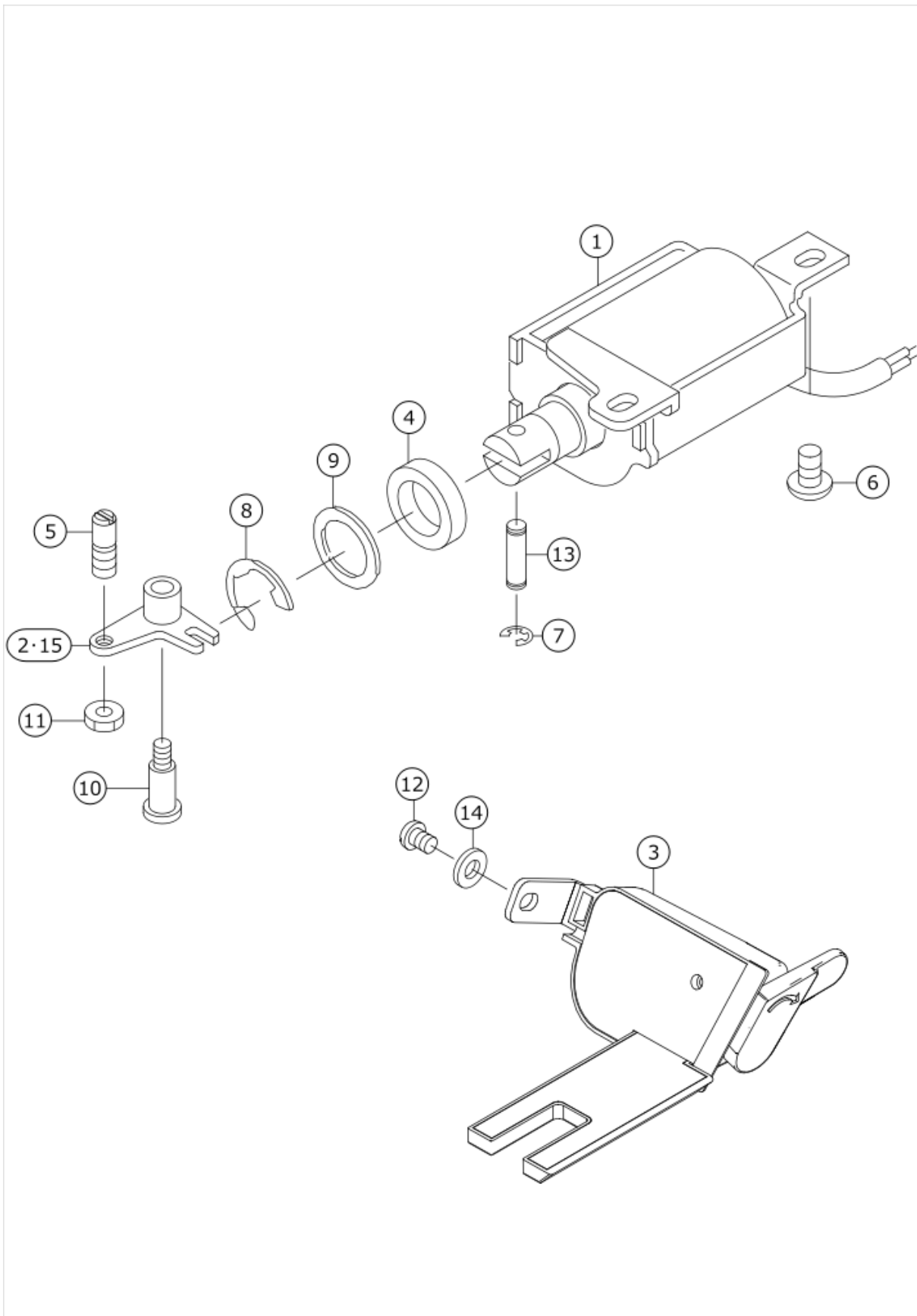
51	SS4110615SP	SCREW 11/64-40 L=6				1.00
52	22949101	ROLLER FULCRUM SHAFT				1.00
53	22949002	ROLLER ARM SEAT				1.00
54	22558506	THREAD CUTTING CAM B				1.00
55	22555551	FORK KNIFE ASM.				1.00
56	22556906	FIXED PLATE				1.00
57	22557003	CORD PRESSER				1.00
58	23542418	CLUTCH LINK PIN				1.00
59	40272294	KNIFE UNIT	EXCEPT GG			1.00
60	40272995	TP_HOOK	EXCEPT GG	*		1.00
61	40272296	FELT	EXCEPT GG	*		1.00

UPPER THREAD FEEDER COMPONENTS



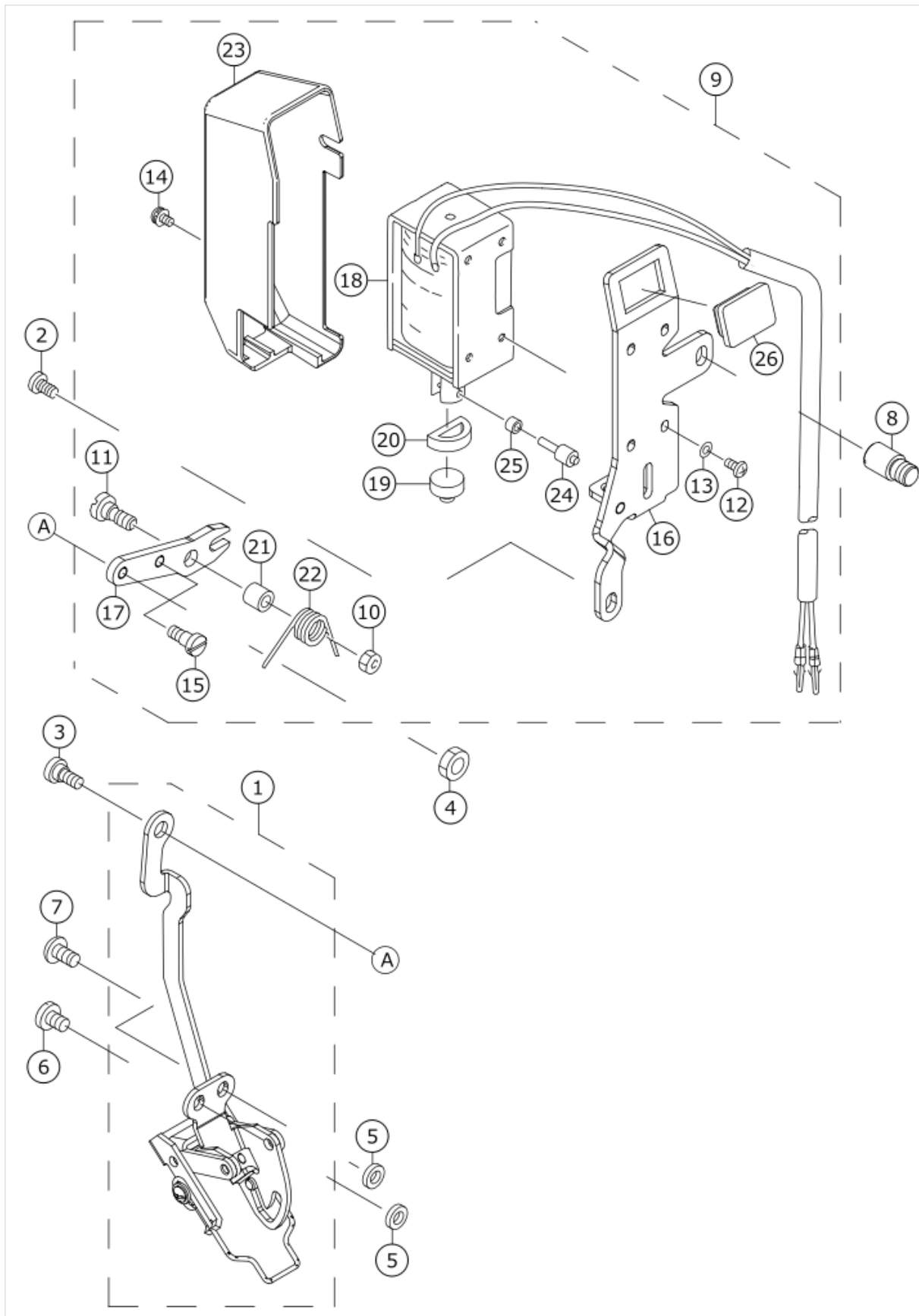
No.	品番	品名	備考	子部品	消耗品	個数
1	40272189	THREAD_FEEDER_ASM				1.00
2	22955900	WIPER RUBBER A		*		1.00
3	22956007	WIPER RUBBER B		*		1.00
4	22956304	WIPER SPRING		*		1.00
5	22957104	WIPER SOLENOID SHAFT		*		1.00
6	22957203	WIPER LINK COLLAR		*		1.00
7	40272270	THREAD_FEEDER_SOLENOID		*		1.00
8	40125551	SOLENOID_SETTING_PLATE_ASM		*		1.00
9	40125554	FEED_LEVER_SHAFT		*		1.00
10	40125555	FEED_LEVER_ASM		*		1.00
11	CS0640863SH	THRUST COLLAR D=6.35 W=8		*		1.00
12	40086678	WIPER_SW_RUBBER		*		1.00
13	RE0500000KP	E-RING 5		*		1.00
14	SL4030881SF	SCREW M3 L=8		*		6.00
15	SS7110540SP	SCREW 11/64-40 L=5		*		4.00
16	40125655	SWITCH_COVER		*		1.00
17	11234408	SOLENOID RUBBER		*		2.00
18	WP1221016SP	WASHER		*		1.00
19	40022407	CORD HOLDER				1.00
20	22564959	FITTING PLATE COMPL.				1.00
21	40125559	FEED_WIRE				1.00
22	SS6090540SP	SCREW 9/64-40 L= 5.0				2.00
23	SS9110620TP	SCREW				2.00
24	SS4120915SP	SCREW 3/16-28 L=9				2.00
25	WP0371016SD	WASHER 3.7X8X1				2.00

AUTOMATIC REVERSE FEED MECHANISM & LED COMPONENTS



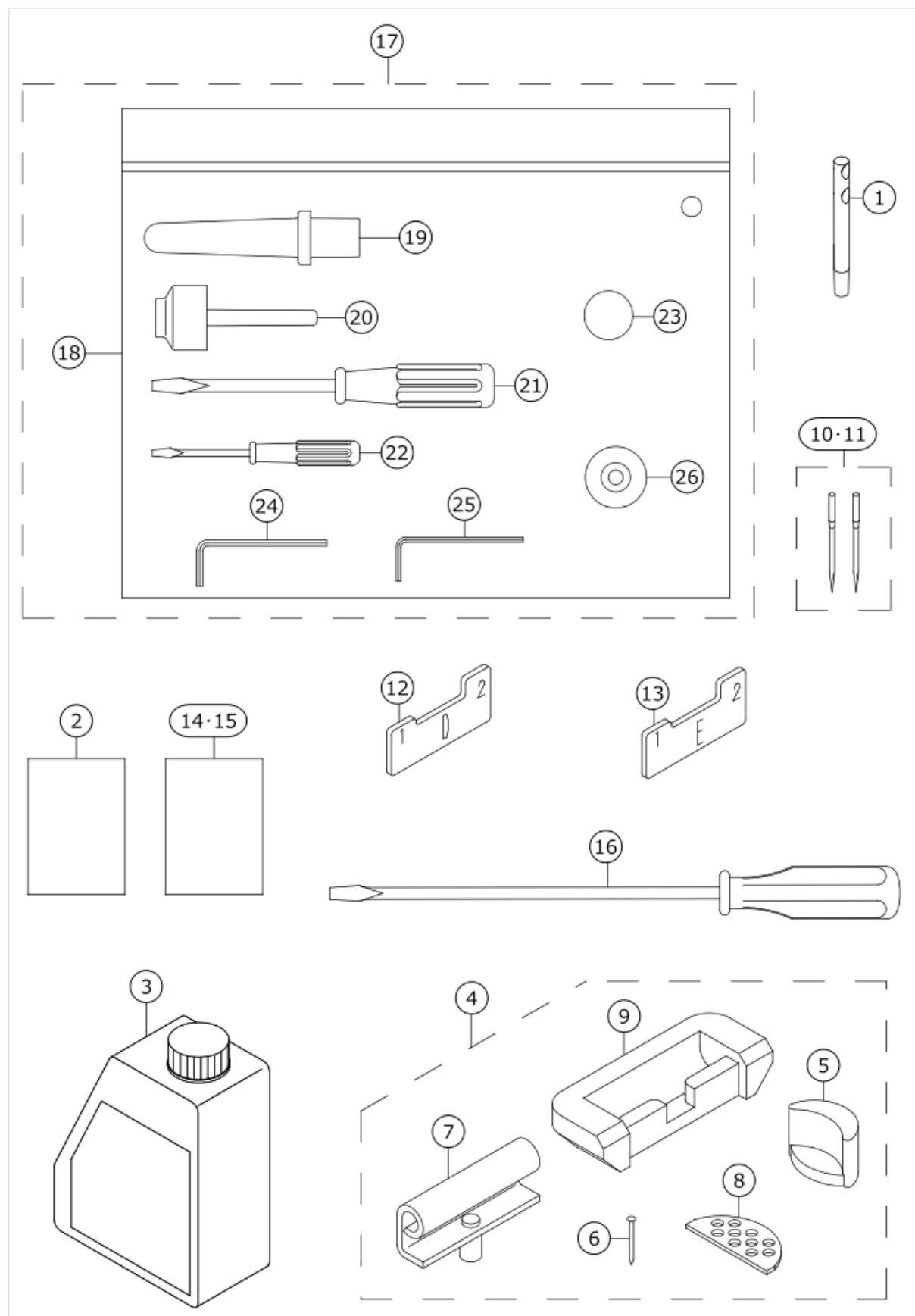
No.	品番	品名	備考	子部品	消耗品	個数
1	40272269	REVERSE FEED SOLENOID ASM				1.00
2	22544159	REVERSE FEED MAGNET LINK	EXCEPT LZ-2280BB			1.00
3	40272178	LED_TB_SWITCH				1.00
4	D2468555B00	RUBBER PLUNGER				1.00
5	40125568	SCREW				1.00
6	SS4150915SP	SCREW 15/64-28 L=9				2.00
7	RE0400000K0	E-RING 4				2.00
8	RE1200000K0	E-RING 12				1.00
9	WP1602616SZ	WASHER 16X24X2.6				1.00
10	SD0791503SP	HINGE SCREW D=7.94 H=15				1.00
11	NS6150310SP	NUT 15/64-28				1.00
12	SS4120915SP	SCREW 3/16-28 L=9				1.00
13	22953509	REVERSE FEED PLUNGER ARM PIN				1.00
14	11529914	WASHER				1.00
15	40272286	REVERSE FEED MAGNET LINK_B_ASM	FOR LZ-2280BB			1.00

WIPER MECHANISM COMPONENTS



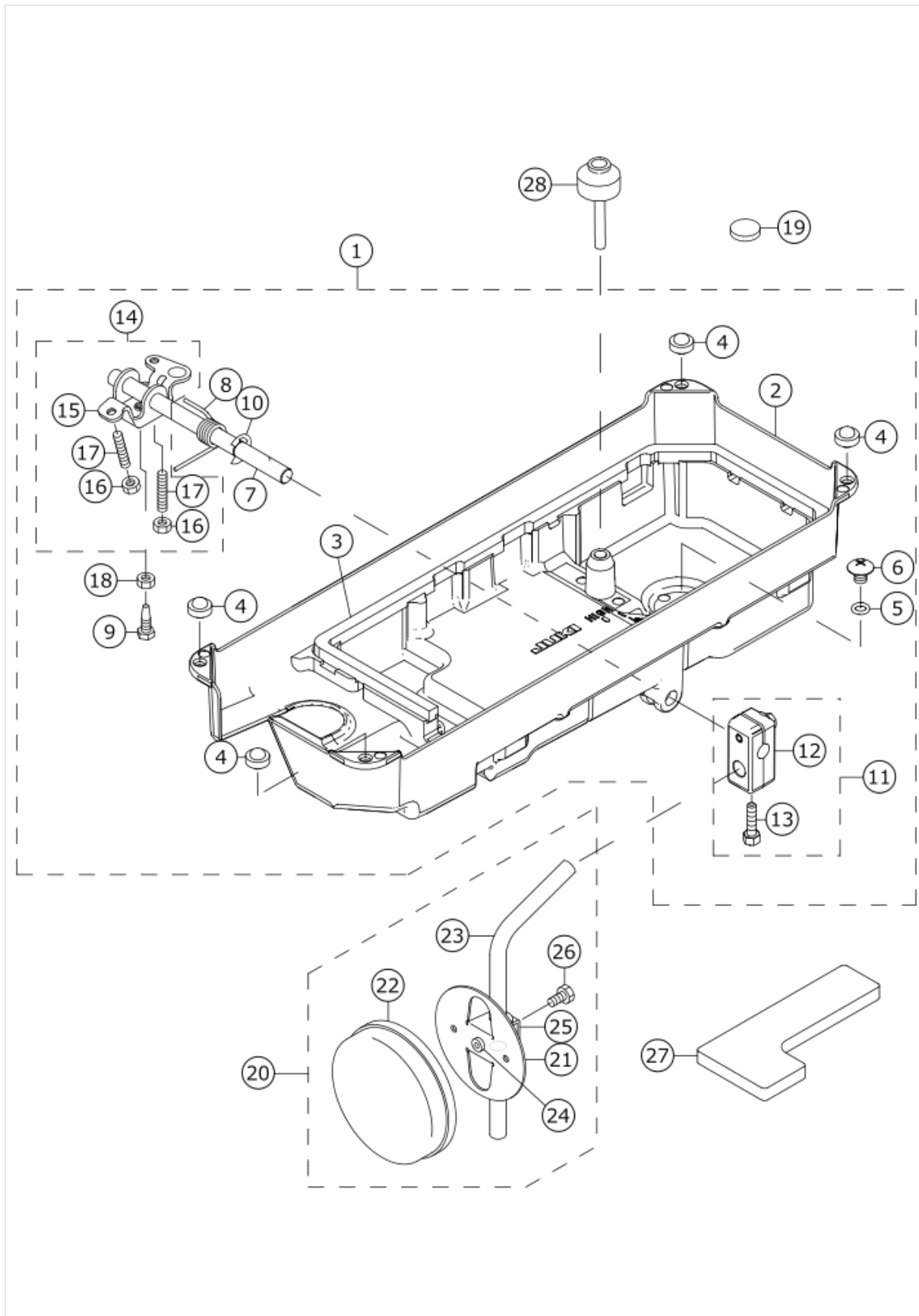
No.	品番	品名	備考	子部品	消耗品	個数
1	40125649	WIPER_ASM.				1.00
2	SS4120615SP	SCREW 3/16-28 L=6				2.00
3	SD0600271SP	SHOULDER SCREW D=6 H=2.7				1.00
4	NS6110310SP	HEXAGONAL NUT 11/64-40				1.00
5	40021606	WASHER(B)				2.00
6	SS7120710SP	SCREW 3/16-28 L=7				1.00
7	SS4120915SP	SCREW 3/16-28 L=9				1.00
8	40125647	STUD				1.00
9	40272187	WIPER SOLENOID ASM.				1.00
10	NS6110310SP	HEXAGONAL NUT 11/64-40		*		1.00
11	SD0650321TP	SHOULDER SCREW D=6.56 H=3.2		*		1.00
12	SM4030601SN	SCREW M3 X 6		*		4.00
13	WS0310002KP	SPRING WASHER		*		4.00
14	SL4030631SC	SCREW M3 L=6		*		1.00
15	SD0500481TP	HINGE SCREW D= 5 H= 4.8		*		1.00
16	40125645	WIPER_BASE		*		1.00
17	22562201	WIPER LINK		*		1.00
18	40272188	WIPER SOLENOID		*		1.00
19	22955900	WIPER RUBBER A		*		1.00
20	22956007	WIPER RUBBER B		*		1.00
21	22956205	WIPER HINGE SCREW COLLAR		*		1.00
22	22956304	WIPER SPRING		*		1.00
23	40196122	WIPER_COVER		*		1.00
24	22957104	WIPER SOLENOID SHAFT		*		1.00
25	22957203	WIPER LINK COLLAR		*		1.00
26	40086678	WIPER_SW_RUBBER		*		1.00

ACCESSORIE PARTS COMPONENTS



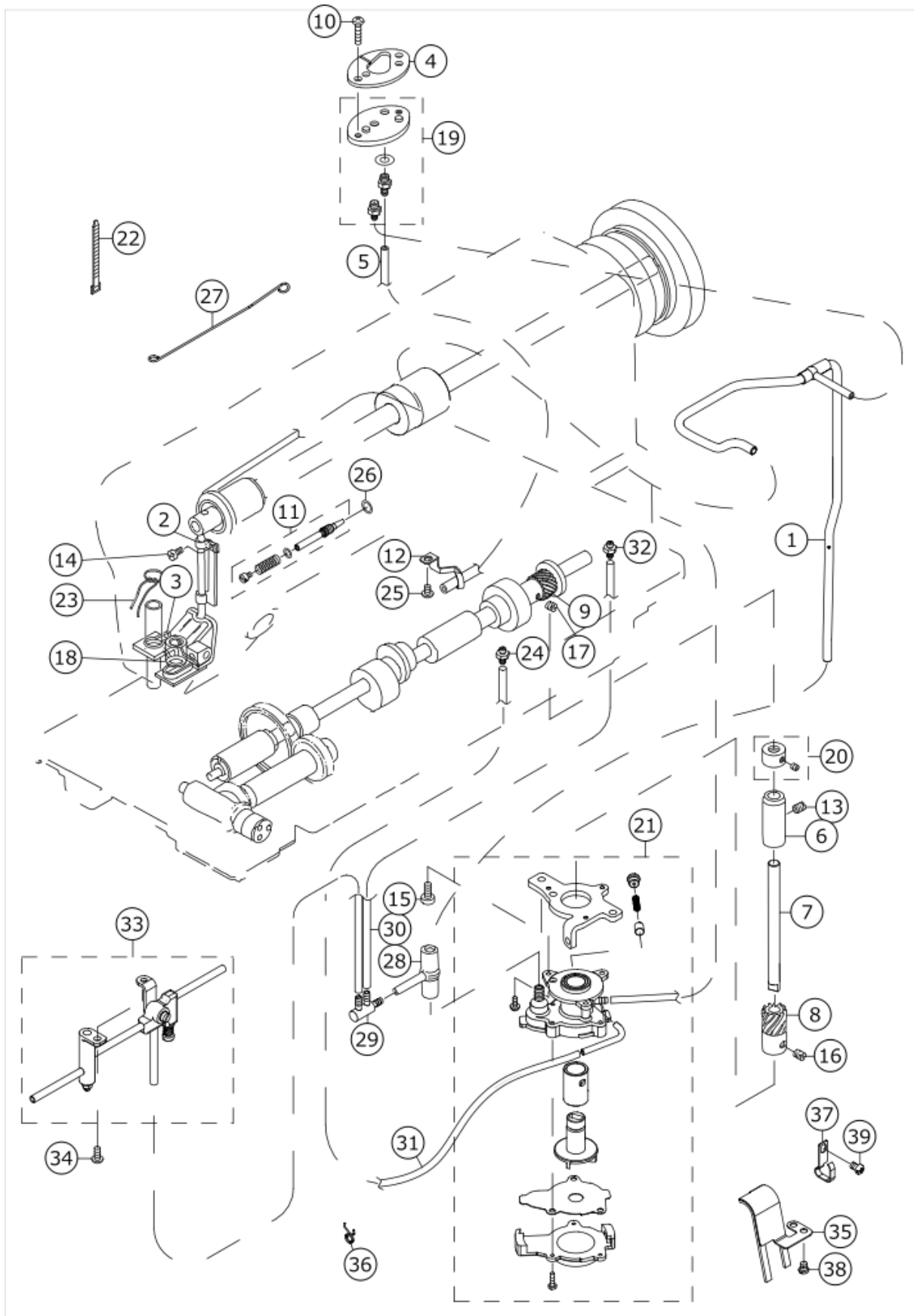
No.	品番	品名	備考	子部品	消耗品	個数
1	22502504	THREAD GUIDE BAR				1.00
2	40272200	SAFETY_INSTRUCTION_MANUAL(6K)				1.00
3	40102087	JUKI_MACHINE_OIL_7				1.00
4	22926059	RUBBER HINGE WASHER ASM				1.00
5	22926109	RUBBER SPACER		*		2.00
6	22926208	NAIL		*		8.00
7	22926356	HINGE COMPL.		*		2.00
8	22926505	WASHER		*		2.00
9	22926000	RUBBER CUSHION		*		2.00
10	MDP134B1002	NEEDLE DPX134 #10-2	EXEPT BB			1.00
11	MC192300752	NEEDLE (SCHMETZ 438) #75-2	FOR BB			1.00
12	22536403	TIMMING GAUG D				1.00
13	22536502	TIMING GAUGE E				1.00
14	CM600100201	WEEE INFORMATION SHEET	FOR BB			1.00
15	40272205	DECLARATION OF INCORP_LZ-2280B	FOR BB			1.00
16	22933006	SCREW DRIVER,LARGE				1.00
17	40125682	ACCESSORIE BAG ASM(DD)				1.00
18	22932800	ACCESSORIE BAG		*		1.00
19	22931604	FRAME SUPPORT BAR		*		1.00
20	B3421555000	KNEE PRESS LIFTER ROD		*		1.00
21	22933105	SCREW DRIVER		*		1.00
22	22933204	SCREW DRIVER		*		1.00
23	B8228125000	OIL RESERVOIR MAGNET		*		1.00
24	B9102057000	WRENCH (3/32)		*		1.00
25	J106600000B	HEXAGONAL WRENCH KEY (2MM)		*		1.00
26	22596704	BOBBIN S		*		1.00

OIL RESERVOIR & KNEE LIFTER COMPONENTS



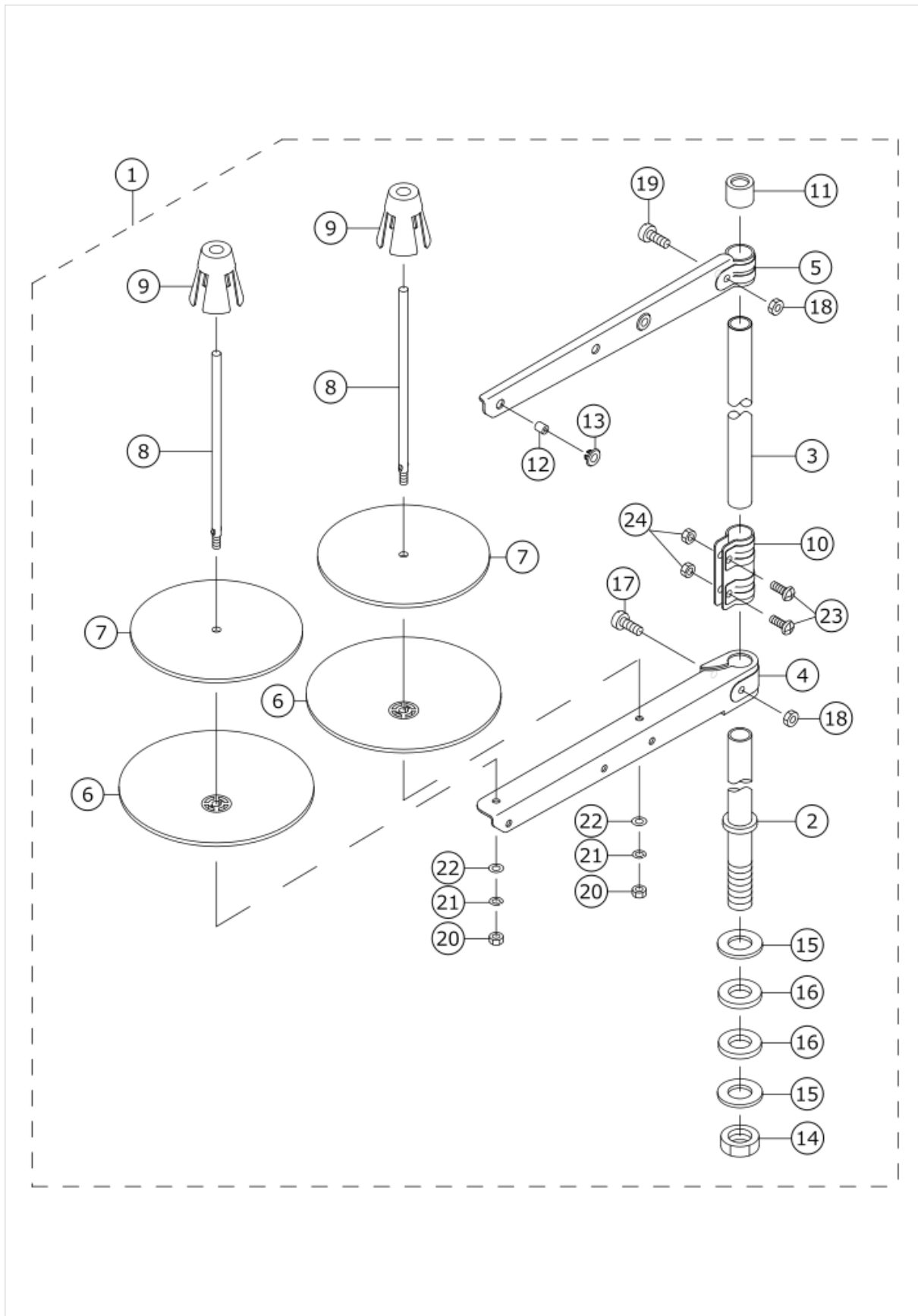
No.	品番	品名	備考	子部品	消耗品	個数
1	40272280	OIL RESERVOIR ASM				1.00
2	40125583	OIL_RESERVOIR		*		1.00
3	40125586	OIL RESERVOIR_GASKET		*		1.00
4	B1116210D00	FRAME SUPPORT RUBBER		*		4.00
5	13170105	RUBBER RING		*		1.00
6	SM0081001SD	SCREW		*		1.00
7	22932305	KNEE PRESS CROSS SHAFT		*		1.00
8	22932206	SPRING		*		1.00
9	SM9061853SR	SCREW M6 L=17.5		*		1.00
10	RE1000000K0	E-RING 10		*		1.00
11	22932453	BRACKET ASM.		*		1.00
12	22932404	BRACKET		*		1.00
13	22934707	SCREW		*		2.00
14	22932156	KNEE LIFTER ROTATION ARM ASM.		*		1.00
15	22932107	KNEE LIFTING ROTATING ARM		*		1.00
16	NM6060001SE	NUT M6X1 TYPE1		*		2.00
17	SM8063012TR	SCREW M6 L=30		*		2.00
18	NM6060001SE	NUT M6X1 TYPE1		*		1.00
19	B8228125000	OIL RESERVOIR MAGNET				1.00
20	22934251	KNEE PAD PLATE ASM.				1.00
21	22934202	KNEE PAD PLATE		*		1.00
22	22934509	KNEE PAD PLATE COVER		*		1.00
23	22934608	KNEE PAD UPRIGHT SHAFT		*		1.00
24	22934400	KNEE PAD PLATE RUBBER		*		1.00
25	22934301	KNEE PAD PLATE SUPPORT		*		1.00
26	SM9061203SE	SCREW M6 L=12		*		1.00
27	40125585	OIL_RESERVOIR_BASE				1.00
28	B3421555000	KNEE PRESS LIFTER ROD				1.00

LUBRICATION COMPONENTS



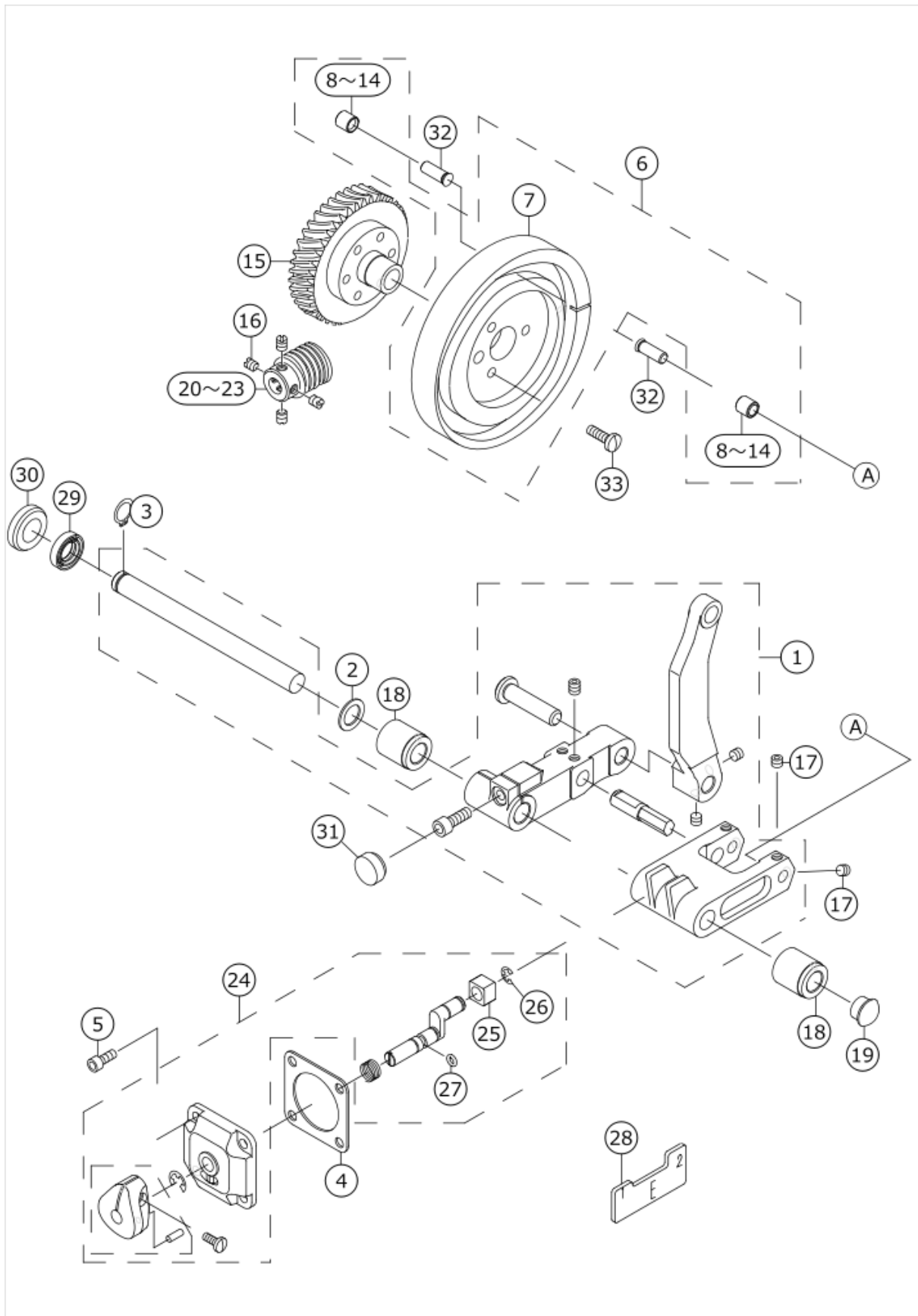
No.	品番	品名	備考	子部品	消耗品	個数
1	40125511	MAIN_SHAFT_OIL_PIPE_ASM				1.00
2	40125515	FELT_ASM				1.00
3	40125699	FELT_PRESSER				1.00
4	40070261	GASKET				1.00
5	BP30000010R	VINYL PIPE				0.30
6	10035301	BUSHING				1.00
7	40125701	UPRIGHT_SHAFT				1.00
8	10035111	PUMP DRIVING GEAR				1.00
9	10035004	PUMP DRIVING GEAR A				1.00
10	SS4111815TP	SCREW 11/64-40 L=18				2.00
11	40135266	P=SCREW_ASM				1.00
12	40009373	OIL FELT GUIDE				1.00
13	SS8150710TP	SCREW 15/64-28 L=7				1.00
14	SS4110615SP	SCREW 11/64-40 L=6				1.00
15	SS6111140SP	SCREW 11/64-40 L=11				2.00
16	SS8660530TP	SCREW 1/4-40 L= 4.5				2.00
17	SS8660530TP	SCREW 1/4-40 L= 4.5				2.00
18	CQ202000000	COTTON OIL WICK D=2				0.20
19	40070259	OIL_TANK_ASM.				1.00
20	22917058	THRUST COLLAR ASM.				1.00
21	40125513	OIL_PUMP_ASM				1.00
22	EA9500B0100	CABLE BAND				5.00
23	CQ202000000	COTTON OIL WICK D=2				0.20
24	SQ1110402MZ	CONNECTING SCREW				1.00
25	SS4110615SP	SCREW 11/64-40 L=6				1.00
26	RO029180100	O-RING				1.00
27	40125667	PIPE HOLDER				1.00
28	22924609	RUBBER JOINT				1.00
29	23629504	DISTRIBUTOR				1.00
30	23630007	TUBE				0.08
31	23630007	TUBE				0.06
32	SQ1110402MZ	CONNECTING SCREW				1.00
33	40125516	OIL_REGULATING_BASE_ASM				1.00
34	SS4110915SP	SCREW 11/64-40 L=9				1.00
35	40272217	ASSY_SHIELD_PLATE				1.00
36	23629306	PIPE STOPPER A				2.00
37	40022407	CORD HOLDER				1.00
38	SS4110515SP	SCREW 11/64-40 L=5				2.00
39	SS4110915SP	SCREW 11/64-40 L=9				1.00

THREAD STAND COMPONENTS



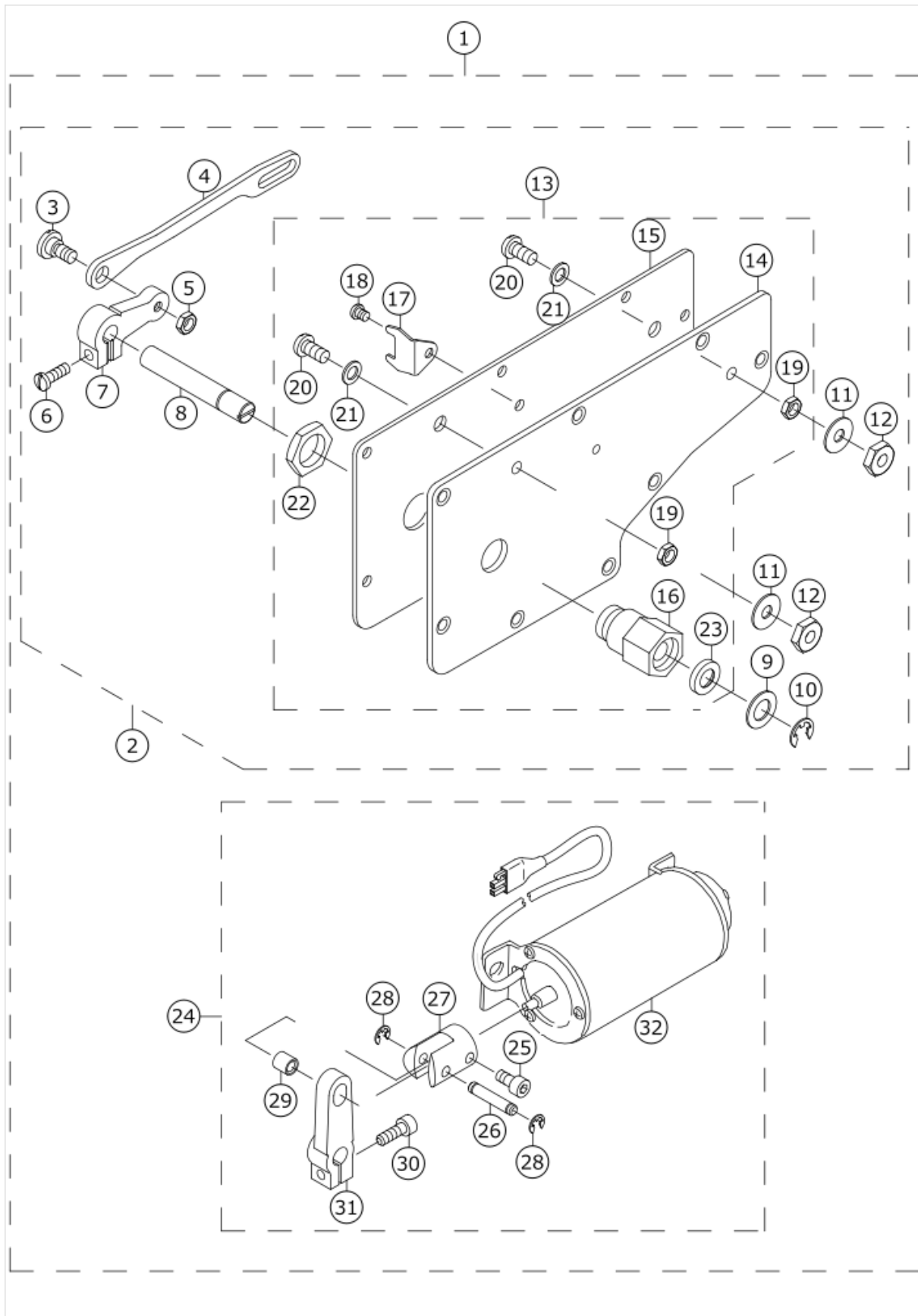
No.	品番	品名	備考	子部品	消耗品	個数
1	40096354	THREAD STAND ASM.				1.00
2	40085784	SPOOL REST ROD LOWER		*		1.00
3	40085785	SPOOL REST ROD UPPER		*		1.00
4	40085786	SPOOL REST ARM LOWER		*		1.00
5	40085787	SPOOL REST ARM UPPER		*		1.00
6	40085788	SPOOL REST		*		2.00
7	40085789	SPOOL REST CUSHION		*		2.00
8	40085790	SPOOL PIN		*		2.00
9	40085791	SPOOL RETAINER		*		2.00
10	40085792	SPOOL REST ROD JOINT		*		1.00
11	40085793	SPOOL REST ROD RUBBER CAP		*		1.00
12	40085794	THREAD GUIDE		*		2.00
13	40085795	THREAD GUIDE BUSHING		*		2.00
14	40096325	SPOOL REST ROD NUT		*		1.00
15	WP1612616SE	WASHER 16X30X2.6		*		2.00
16	40085796	SPOOL REST ROD RUBBER CUSHION		*		2.00
17	40096326	SPOOL REST ARM LOWER SCREW		*		1.00
18	NM6050001SE	NUT M5X0.8 TYPE1		*		2.00
19	40096327	SPOOL REST ARM UPPER SCREW		*		1.00
20	NM6050001SE	NUT M5X0.8 TYPE1		*		2.00
21	WS0510002KN	SPRING WASHER M5		*		2.00
22	WP0531001SC	WASHER M5		*		2.00
23	SM4051405SE	SCREW M5 L=14		*		2.00
24	NM6050001SE	NUT M5X0.8 TYPE1		*		2.00

EXCLUSIVE PARTS FOR LZ-2284B(-7)



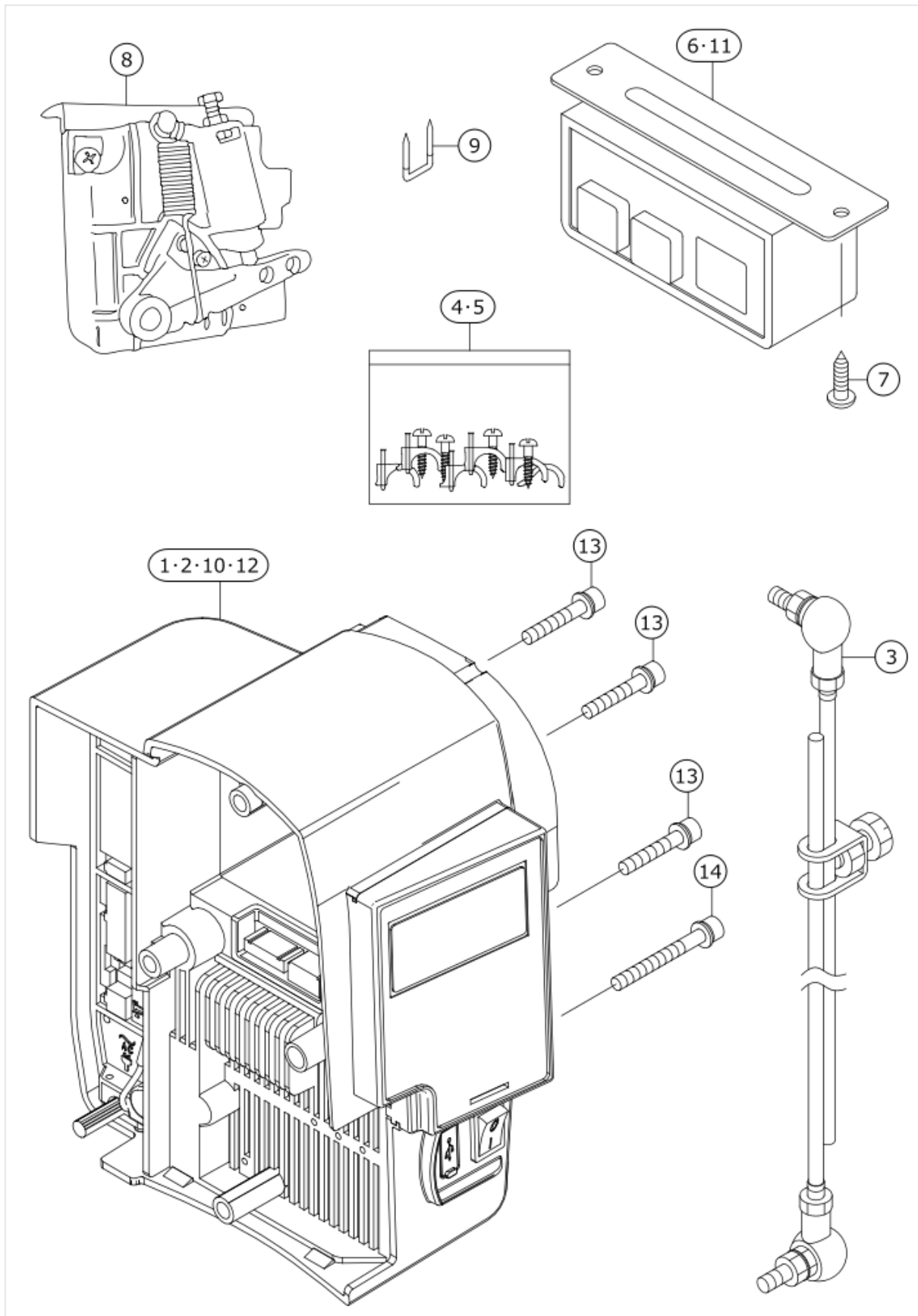
No.	品番	品名	備考	子部品	消耗品	個数
1	40125598	NEEDLE_DRIVING_ARM_ASM	FOR LZ-2284B(-7)			1.00
2	B1637560000	WASHER				1.00
3	RC0100001KP	C-RING 10 (9.3)				1.00
4	22501704	GASKET				1.00
5	SS6111052TP	SCREW				4.00
6	40125626	NEEDLE_CAM_ASM_84				1.00
7	40125595	NEEDLE_CAM_6		*		1.00
8	40064313	NEEDLE CAM ROLLER A	SELECTIVE PARTS	*		2.00
9	40064314	NEEDLE CAM ROLLER B	SELECTIVE PARTS	*		2.00
10	40064315	NEEDLE CAM ROLLER C	SELECTIVE PARTS	*		2.00
11	40064316	NEEDLE CAM ROLLER D	SELECTIVE PARTS	*		2.00
12	40064317	NEEDLE CAM ROLLER E	SELECTIVE PARTS	*		2.00
13	40064319	NEEDLE CAM ROLLER F	SELECTIVE PARTS	*		2.00
14	40064320	NEEDLE CAM ROLLER G	SELECTIVE PARTS	*		2.00
15	22585657	WORM WHEEL COMPL.	FOR LZ-2284B(-7)			1.00
16	SS8660610TP	SCREW 1/4-40 L=6				4.00
17	SM8050412TP	SCREW M5 L=4				4.00
18	12308300	METAL				2.00
19	TA1100604R0	PLUG				1.00
20	22527006	WORM A	FOR LZ-2284B(-7)			1.00
21	22527105	WORM B	FOR LZ-2284B(-7)			1.00
22	22527204	WORM C	FOR LZ-2284B(-7)			1.00
23	22527303	WORM D	FOR LZ-2284B(-7)			1.00
24	40078331	CHANGE OVER BASIS ASM.				1.00
25	40078335	CHANGE OVER BLOCK		*		1.00
26	RE0400000K0	E-RING 4		*		1.00
27	RO029180100	O-RING		*		1.00
28	22536502	TIMING GAUGE E				1.00
29	13338900	OIL SEAL				1.00
30	TA2200502R0	RUBBER PLUG				1.00
31	TA1470702R0	RUBBER PLUG				1.00
32	26313700	NEEDLE CAM ROLLER SHAFT				2.00
33	SS7111410TP	SCREW 11/64-40 L=14				3.00

AK DEVICE COMPONENTS



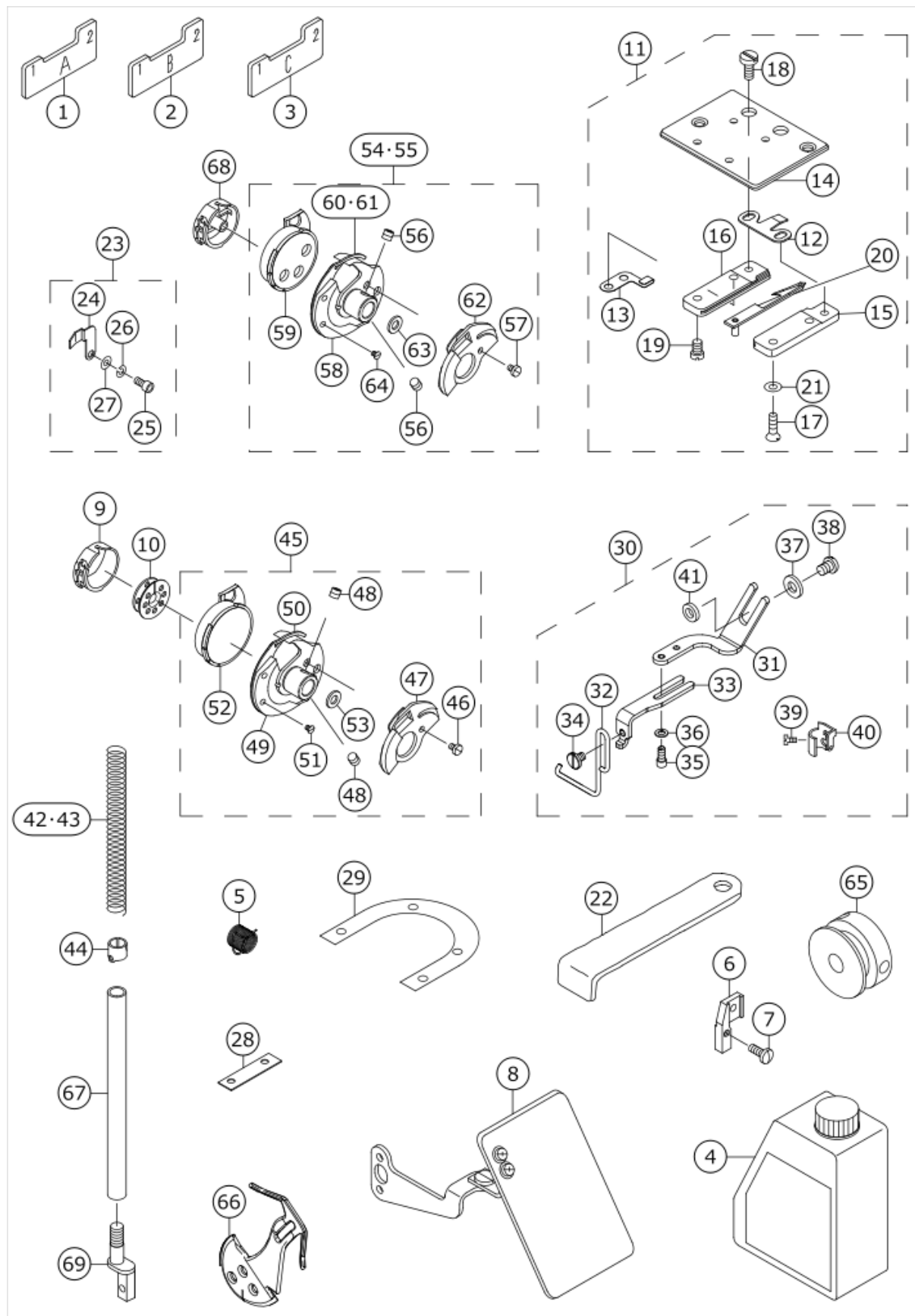
No.	品番	品名	備考	子部品	消耗品	個数
1	40273692	AK_MECHANISM				1.00
2	40272282	SIDE_PLATE_ASM_B		*		1.00
3	SD0800352SP	SHOULDER SCREW D=8 H=3.5		*		1.00
4	22991301	SOLENOID LINK		*		1.00
5	NS6150310SP	NUT 15/64-28		*		1.00
6	SS7121410TP	SCREW 3/16-28 L=14		*		1.00
7	GAK33027000	SOLENOID ARM		*		1.00
8	22991400	SOLENOID SHAFT		*		1.00
9	WP1021016SD	WASHER		*		1.00
10	RE0700000K0	E-RING 7		*		1.00
11	WP0621036SP	WASHER		*		2.00
12	NS6150440SP	NUT 15/64-28		*		2.00
13	40225179	SIDE PLATE ASM. A		*		1.00
14	40225178	WINDOW PLATE		*		1.00
15	GAK33021000	SIDE PLATE GASKET		*		1.00
16	22991103	SOLENOID BUSHING		*		1.00
17	22991202	SOLENOID LINK		*		1.00
18	SS4110515SP	SCREW 11/64-40 L=5		*		1.00
19	NS6150310SP	NUT 15/64-28		*		2.00
20	SS4151215SP	SCREW 15/64-28 L=12		*		2.00
21	WP0651056SD	WASHER 6.5X11X1		*		1.00
22	NM6160511SE	NUT M16X1.5 TYPE1		*		1.00
23	GAK33025000	OIL SEAL		*		1.00
24	40272267	AK SOLENOID ASM. B		*		1.00
25	SM6051002TP	SCREW M5X0.8 L=10		*		1.00
26	GAK33012000	SOLENOID PIN		*		1.00
27	GAK33035000	SOLENOID COLLAR		*		1.00
28	RE0400000KP	E-RING 4		*		2.00
29	GAK33013000	SOLENOID PIN COLLAR		*		1.00
30	SM6051552TP	SCREW M5 L=15		*		1.00
31	GAK33011000	SOLENOID ARM, A		*		1.00
32	40272266	AK SOLENOID ASM		*		1.00

PSC UNIT



No.	品番	品名	備考	子部品	消耗品	個数
1	40272181	CONTROL_BOX_1P_220-240V	EXCEPT AD			1.00
2	40272180	CONTROL_BOX_3P_200-240V	FOR AD			1.00
3	40131478	CONNECTING_ROD_ASSY				1.00
4	40215705	ACCESSORIES_PARTS_ASSY				1.00
5	40224061	ACCESSORIES_PARTS_3P_ASSY				1.00
6	40253670	POWER SWITCH ASSY A	FOR AD 3P			1.00
7	40093427	WOOD_SCREW D=5.1 L=18	FOR AD			2.00
8	40215706	PEDAL_SENSOR_BASE_ASSY				1.00
9	MAO11532000	CORD STAPLE	FOR AD			4.00
10	40272185	CONTROL_BOX_7_1P_220-240V	EXCEPT AD			1.00
11	40272244	REMODELING POWER SWITCH ASSY	FOR AD 1P			1.00
12	40272184	CONTROL_BOX_7_3P_200-240V	FOR AD			1.00
13	SL6053092TN	SCREW M5 L=30				3.00
14	SL6054592TN	SCREW M5 L=45				1.00

SPECIAL ORDER PARTS



No.	品番	品名	備考	子部品	消耗品	個数
1	22535801	TIMING GAUGE				1.00
2	22586705	TIMING GAUGE				1.00
3	22535900	TIMMING GAUGE, RIGHT				1.00
4	40102087	JUKI_MACHINE_OIL_7				1.00
5	40272263	SPRING				1.00
6	B1551586000	PRESSER FOOT JOINT				1.00
7	SS7090910TP	SCREW 9/64-40 L= 8.5				1.00
8	22503353	SAFETY PLATE ASM.				1.00
9	23522550	NON ROTATION BOBBIN CASE ASM.				1.00
10	23523004	NON ROTATION BOBBIN				1.00
11	22556054	KNIFE UNIT				1.00
12	22556302	FIXED KNIFE		*		1.00
13	22556450	CLAMP PLATE ASM.		*		1.00
14	22556609	SLIDING PLATE		*		1.00
15	22556708	DRIVING BASE		*		1.00
16	22556807	DRIVING BASE		*		1.00
17	SS1090510SP	SCREW 9/64-40 L=5		*		2.00
18	SS6090420SP	SCREW 9/64-40 L= 4.0		*		2.00
19	SS7090710SP	SCREW 9/64-40 L= 6.8		*		2.00
20	22556153	DRIVING KNIFE ASM.		*		1.00
21	WP0370316SD	WASHER 3.7X8X0.3		*		1.00
22	B9101490000	DRIVER				1.00
23	22525455	NEEDLE HOLDER ASM.				1.00
24	22525406	NEEDLE GUARD		*		1.00
25	SM6030602TP	SCREW M3X0.5 L=6		*		1.00
26	WS0310702KS	SPRING WASHER		*		1.00
27	WP0320500SC	WASHER M3		*		2.00
28	10025906	SPACER				1.00
29	22503908	SPACER				1.00
30	40135178	SUPPORT_BALANCE_PART				1.00
31	40125672	MOUNTING_BASE		*		1.00
32	40125673	SUPPORT_BALANCE		*		1.00
33	40125681	SUPPORT_BALANCE_BASE		*		1.00
34	SS6090540SP	SCREW 9/64-40 L= 5.0		*		1.00
35	SS6580752TP	SCREW 1/8-40 L=7		*		1.00
36	WP03305000E	WASHER 3.3X6X0.5		*		1.00
37	11529914	WASHER		*		2.00
38	SS4120915SP	SCREW 3/16-28 L=9		*		2.00
39	SS7060310SP	SCREW 3/32-56 L=3		*		1.00
40	22507404	THREAD RACK		*		1.00
41	40021606	WASHER(B)		*		1.00
42	B150522700A	PRESSER ADJUSTING SPRING				1.00
43	11162104	SPRING				1.00
44	22507701	THRED RACK, RIGHT				1.00
45	23523152	NON ROTATION HOOK ASM.				1.00
46	10033108	HOOK COUNTER BALANCE SCREW		*		1.00
47	22526206	REVERSE PLATE V		*		1.00
48	SS8110422TP	SCREW 11/64-40 L=4		*		2.00
49	22525919	OUTER HOOK V		*		1.00
50	23503501	INNER HOOK PRESSER V-S		*		1.00

51	10033009	HOOK GIB SCREW		*		2.00
52	23523202	NOT TURN BOBBIN INNER HOOK V		*		1.00
53	10032902	HOOK OIL FELT WASHER		*		1.00
54	23503659	HOOK ASM.	FOR INNER HOOK S			1.00
55	23502958	HOOK CONNECTION K	FOR INNER HOOK K			1.00
56	23504301	SCREW		*		2.00
57	23504400	HOOK COUNTER BALANCE SCREW S		*		1.00
58	23503709	OUTER HOOK		*		1.00
59	23503808	INNER HOOK S		*		1.00
60	23503907	INNER HOOK PRESSER S	FOR INNER HOOK S	*		1.00
61	23503006	INNER HOOK PRESSER K	FOR INNER HOOK K	*		1.00
62	23504004	BACK PLATE S		*		1.00
63	23504202	HOOK OIL FELT WASHER S		*		1.00
64	23504103	INNER HOOK PRESSER SETSCREWS		*		3.00
65	22555403	THREAD CUTTING CAM				1.00
66	22506109	BALANCE				1.00
67	D1501583H00	PRESSER BAR				1.00
68	23504657	BOBBIN CASE WITH SPRING				1.00
69	D1502583H00	PRESSER BAR				1.00

HOW TO MAKE USE OF THIS PARTS LIST

HOW TO MAKE USE OF THIS PARTS LIST

- 1.As to "#01" and "#02" refer to the "Note" given at the bottom of the respective pages.
- 2.Codes on the "Qty" column
 - Each numeral indicates the number of parts required.
 - "0.1" and "2.5" indicate the length (in meters) of the respective parts.
- 3.Parentheses mean that the corresponding part is a subpart that constructs an assembly part.
- 4.Dotted lines on the Figures indicate assembly parts.
- 5.As to the parts with marks of "☆"(Consumable parts)and "◎"(optional parts)on the respective parts, it is recommended to prepare spares.

パーツリストご利用に際して

1. リストページの# 0 1、# 0 2の印は、ページ下の“注記”の説明を参照下さい。
2. 数量欄の数字は、個数を表し、0. 1、2. 5等の数値は、長さ（単位メートル）を表します。
3. 数量欄の（ ）は、組部品を構成している子部品であることを意味します。
4. イラストページの-----枠は、組構成であることを意味します。
5. リストページの“☆”（消耗部品）、“◎”（オプション部品）の印が付いた部品は、予備を準備しておくことをお奨めします。